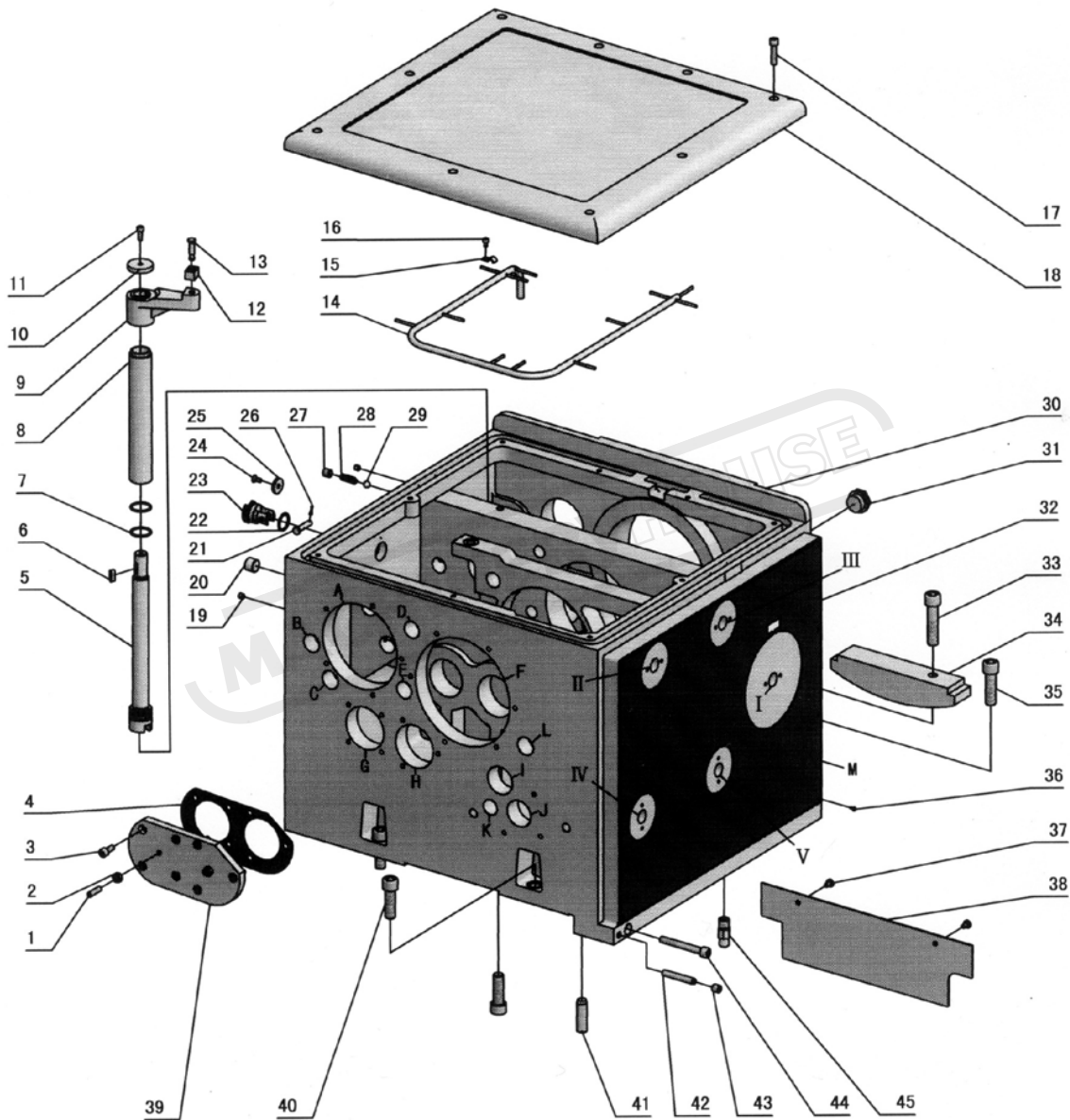
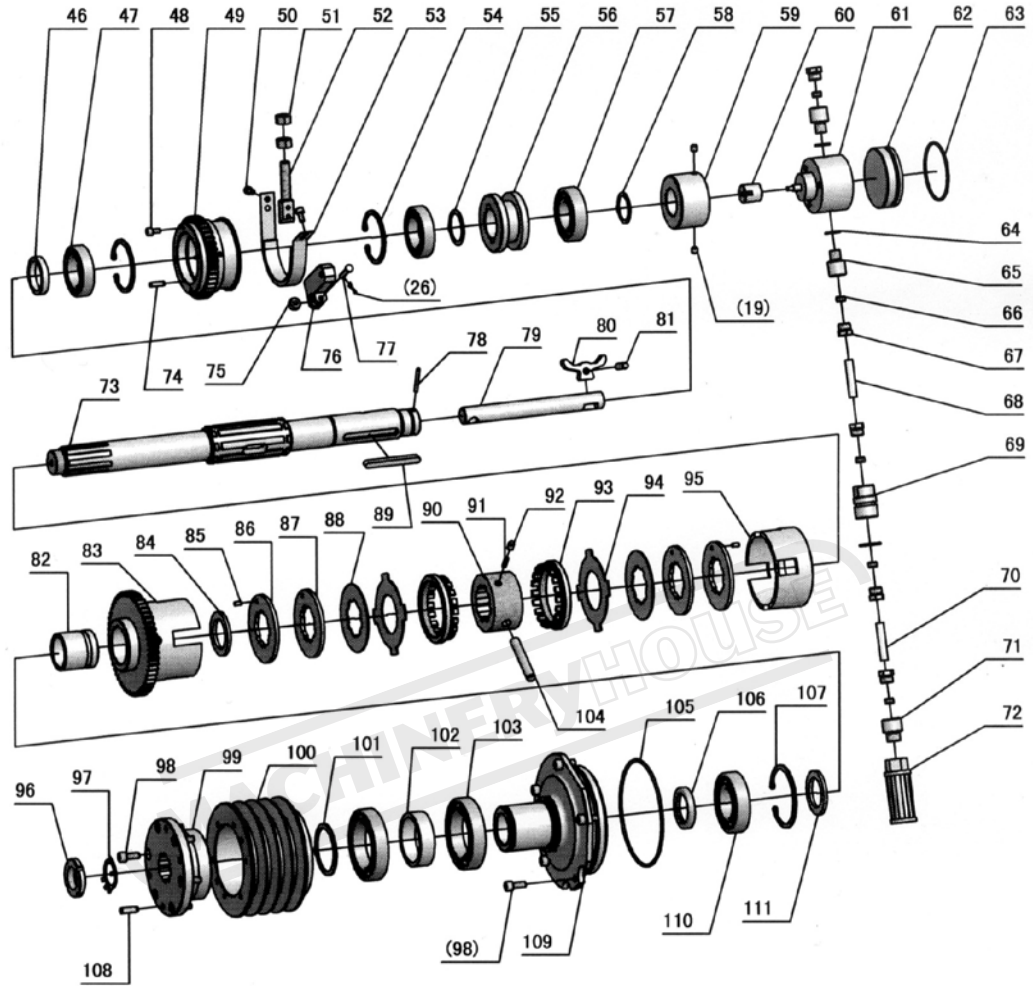


# 11. Parts List Assembly

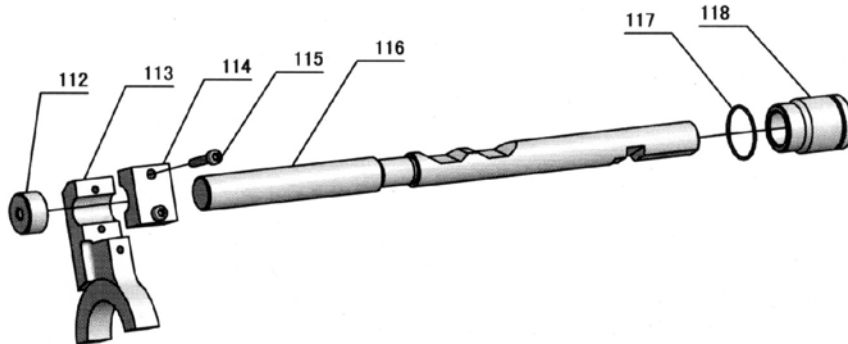
## Headstock

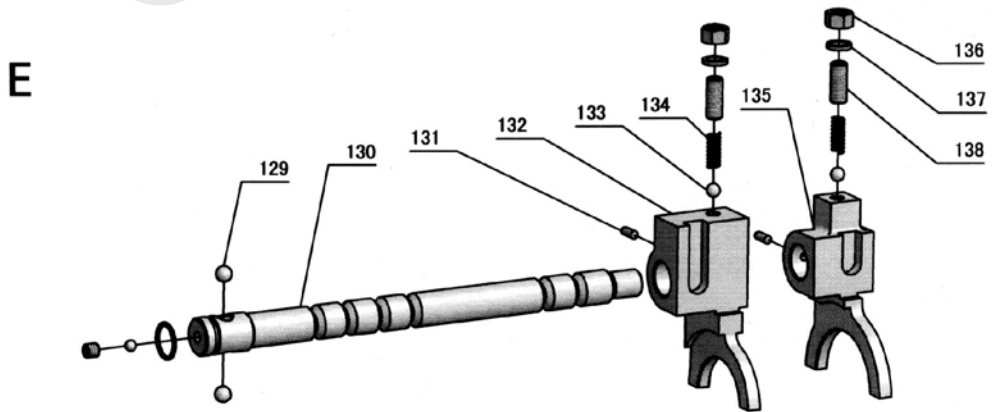
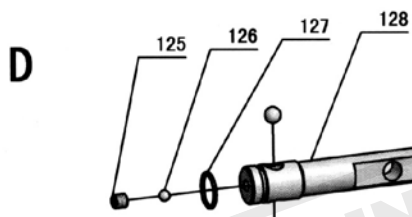
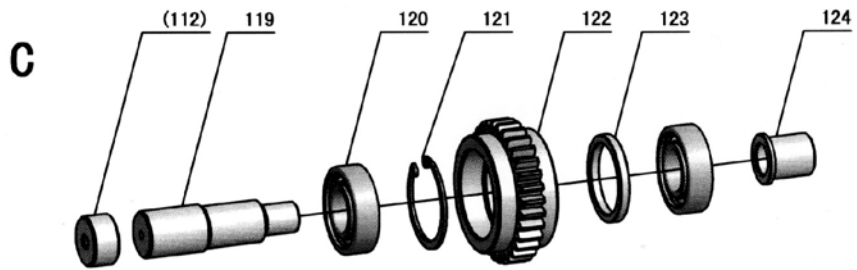


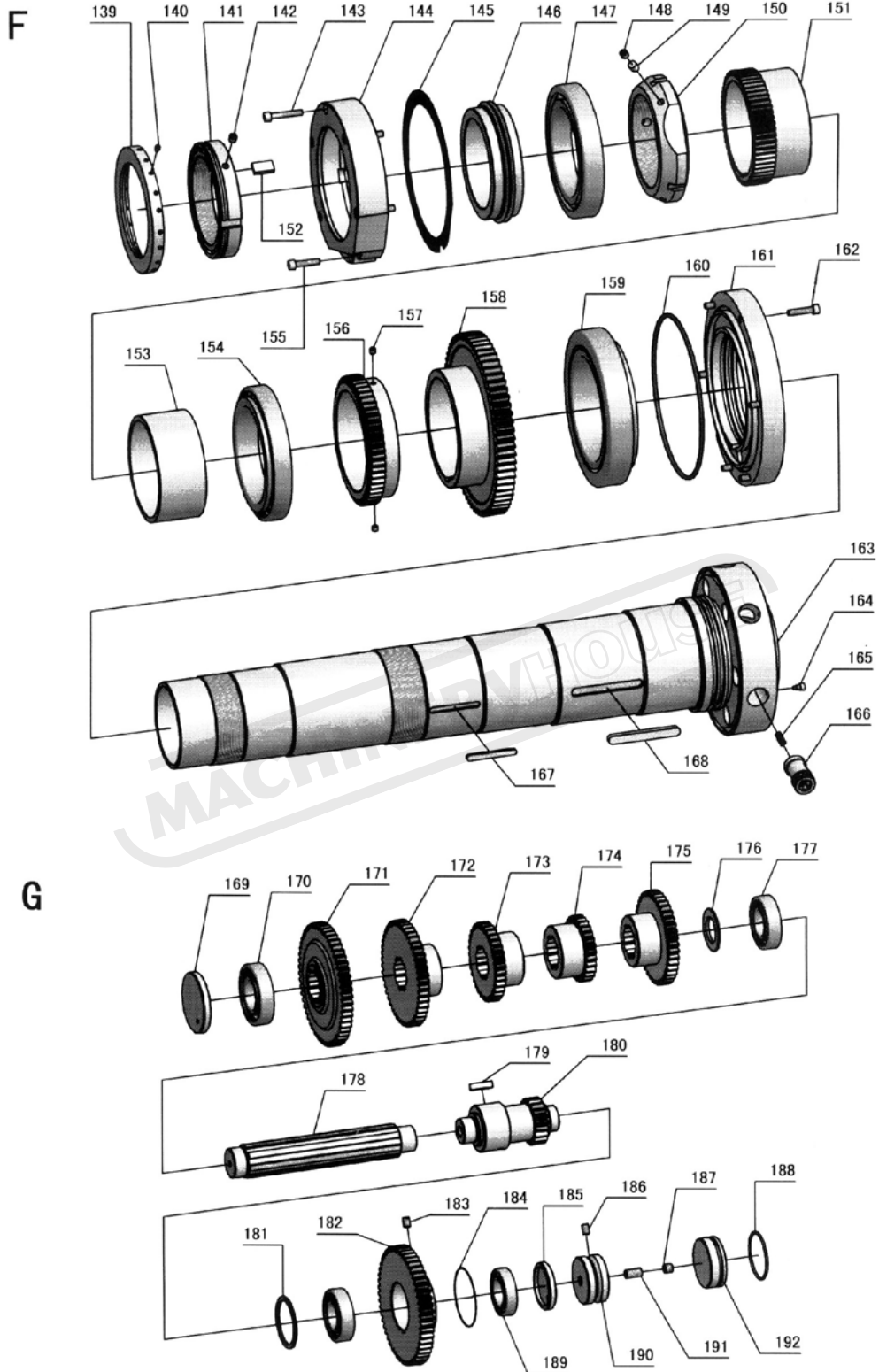
A



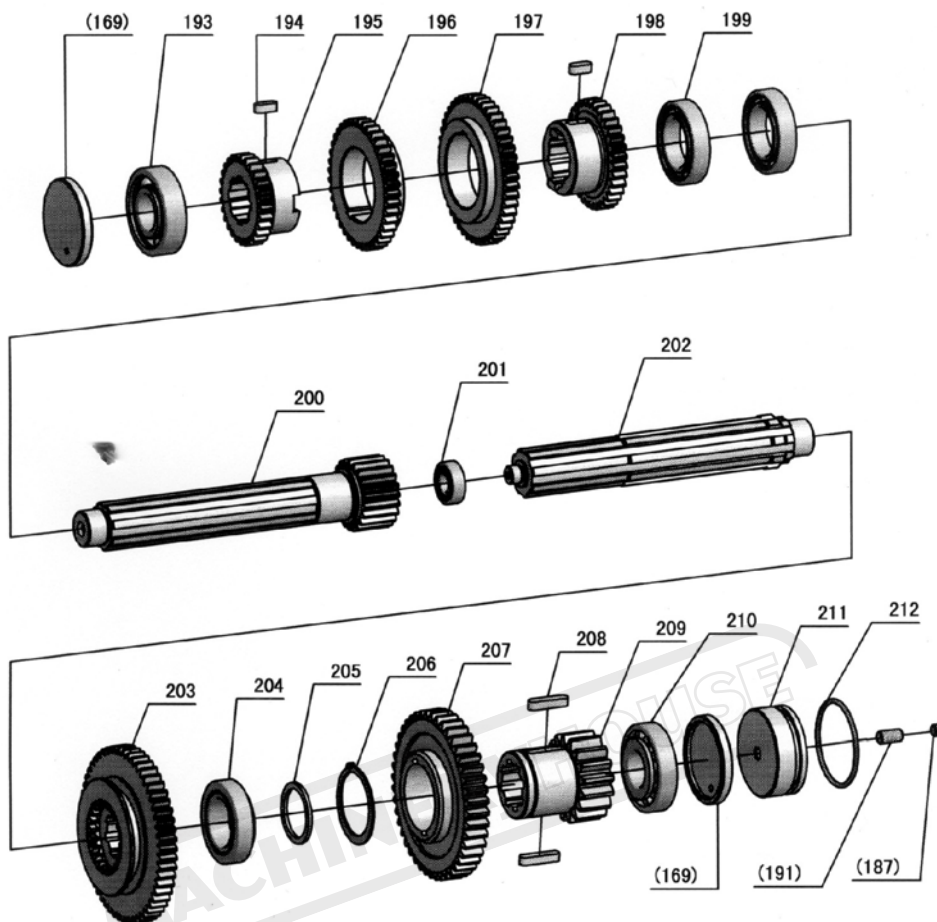
B



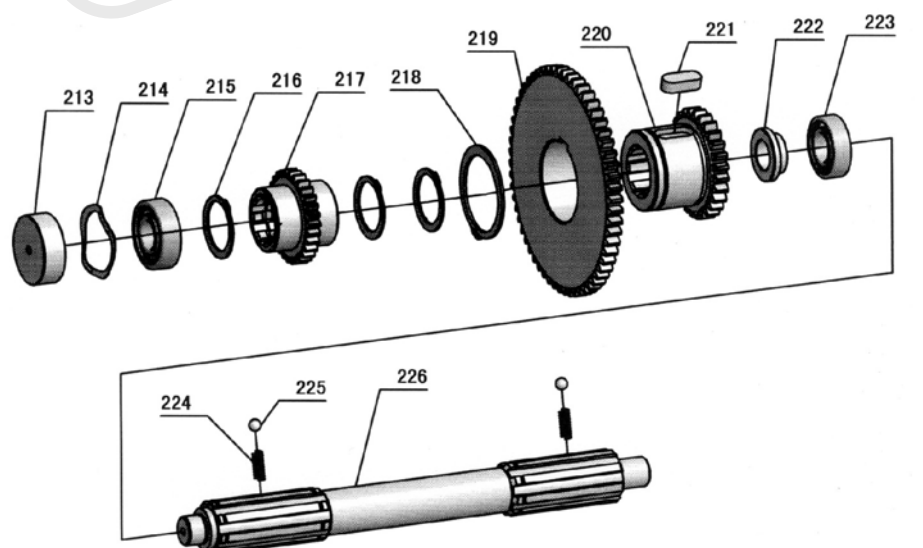


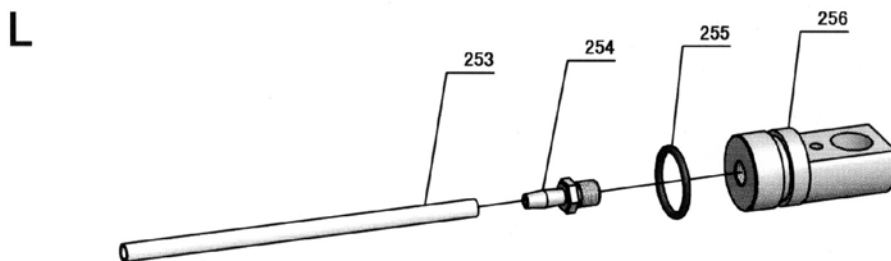
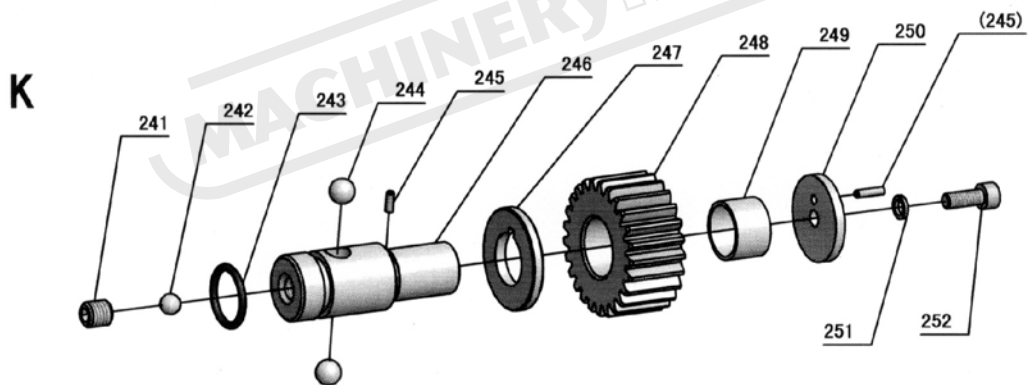
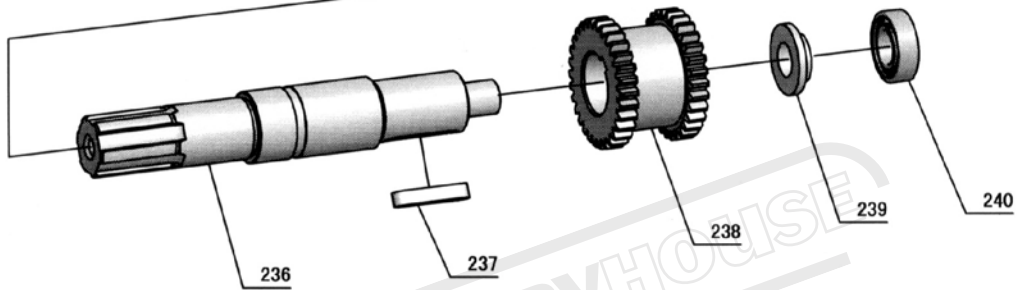
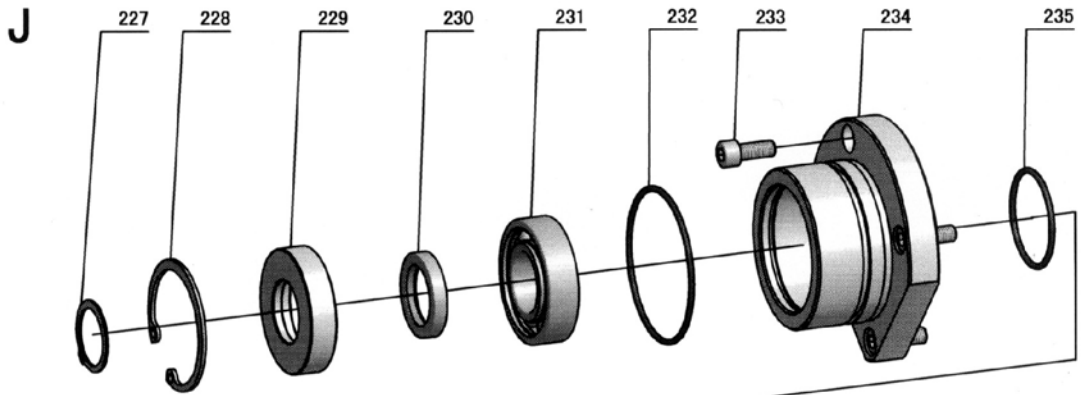


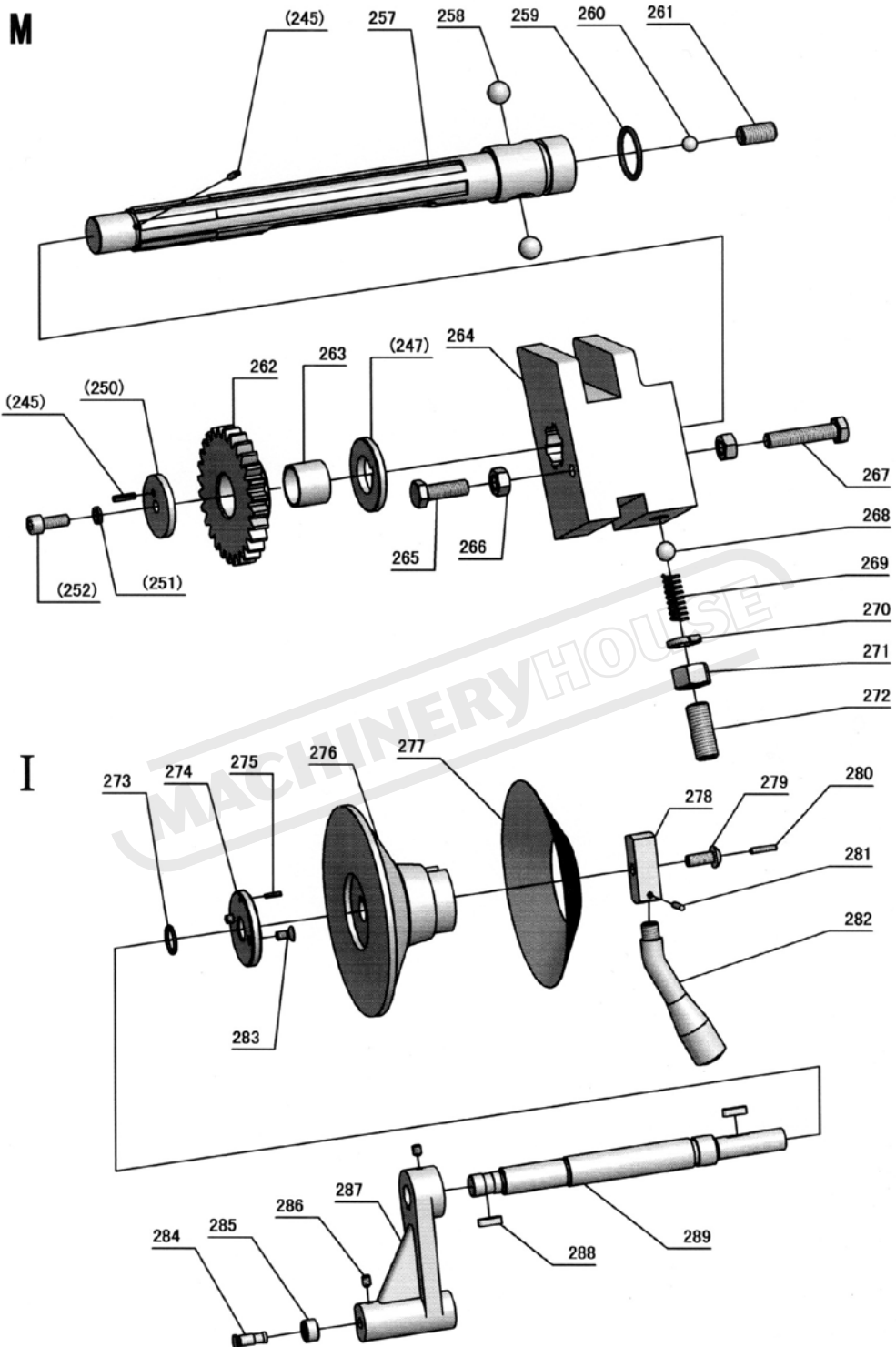
H



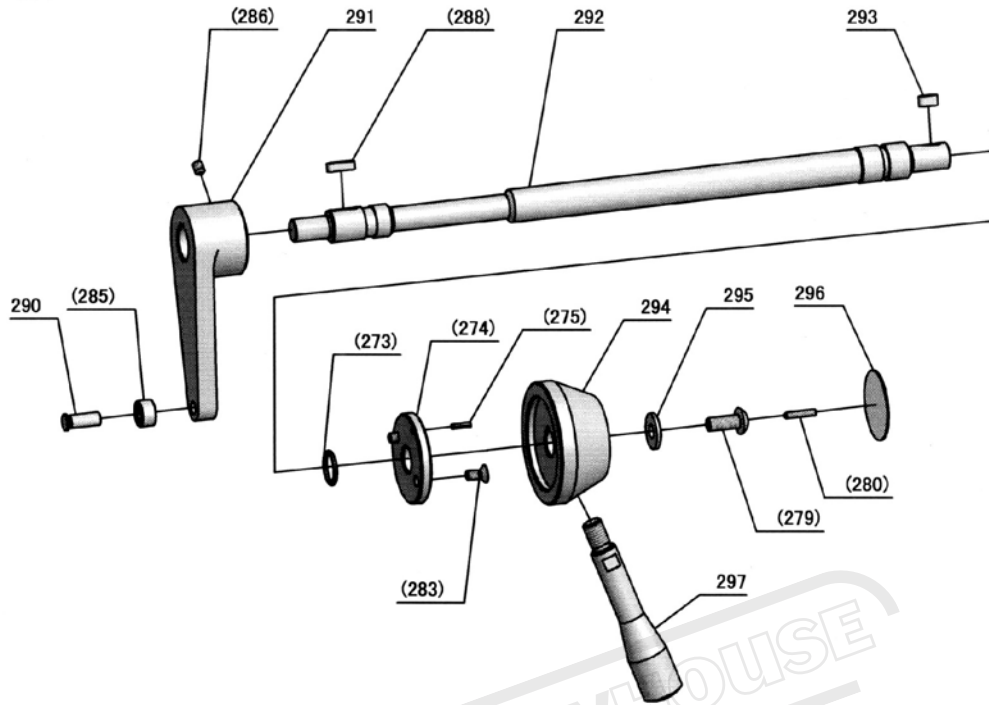
I



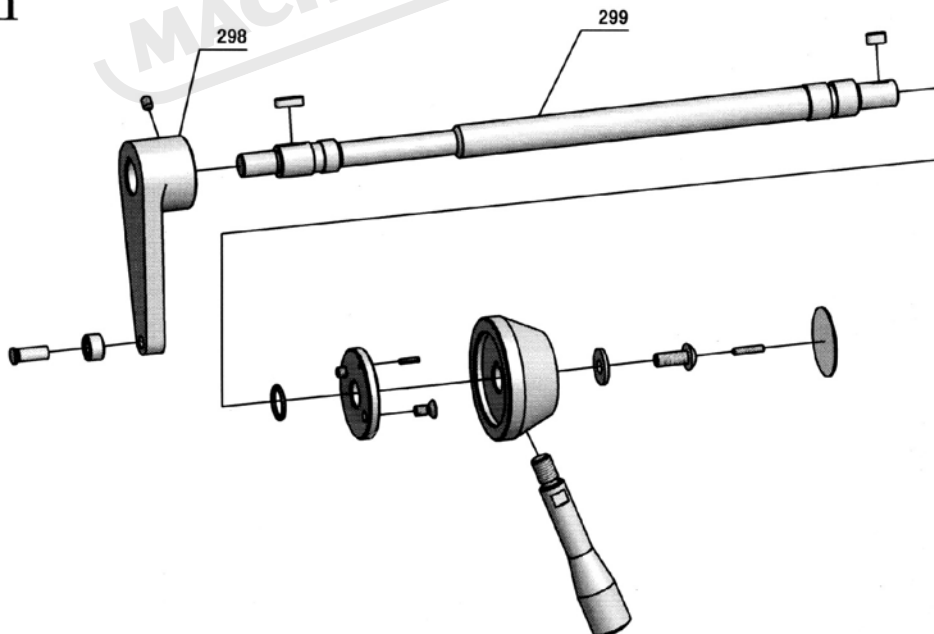




## II

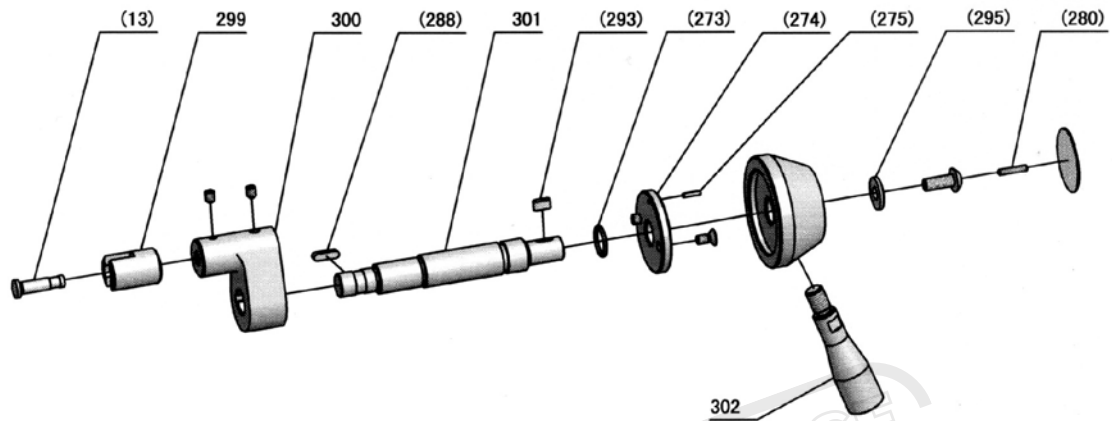


## III

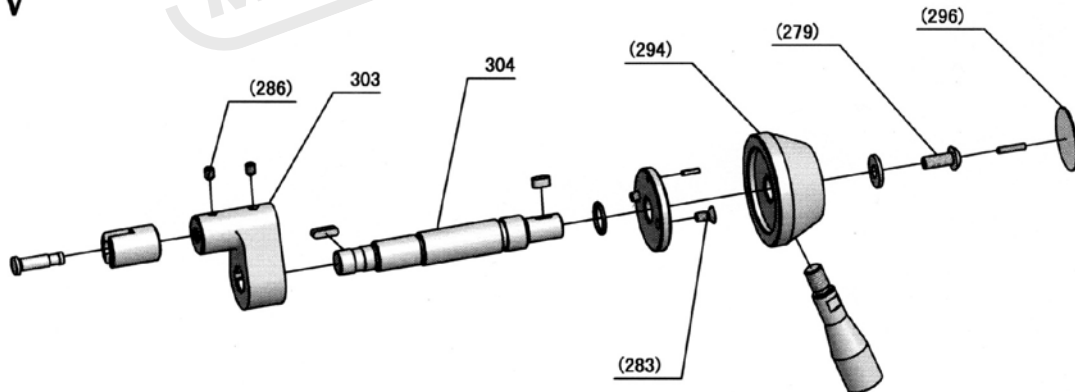




IV



V



No.	Part No.	Name	Specifications	Qty.
1	GB77-85	Screw	M8×30	2
2	GB6170-86	Hexagon Nut Type 1	M8	2
3	GB70-85	Hexagon Socket Cap Set Screw	M8×20	7
4	C6266A-04-81-1	Gasket For End Cover		1
5	C6266A-04-121	Vertical Shaft		1
6	GB1096-79	Round-Head Ordinary Flat Key	A6×20	1
7	GB3452.1-1992	Rubber O Ring	28×2.65	2
8	C6266A-04-122	Shaft Sleeve		1
9	C6266A-04-119	Swinging Arm		1
10	C6266A-04-120	Washer		1
11	GB70-85	Hexagon Socket Cap Set Screw	M6×16	1
12	C6266A-04-118	Slide Block		1
13	C6266A-04-99	Mandrel		3
14	C6266A-04-134	Oil Pipe		1
15	25595-1	Pipe Clip	φ 10	2
16	GB70-85	Hexagon Socket Cap Screw	M5×8	2
17	GB70-85	Hexagon Socket Cap Screw	M8×35	9
18	C6266A-04-02	Spindle Box Cover		2
19	GB80-85	Screw	M8×8	4
20	C6266A-04-131	Technological End Cap		1
21	C6266A-04-125	Pin Roll		1
22	GB3452.1-1992	Rubber O Ring	23.6×2.65	1
23	C6266A-04-123	Brake Support		1
24	GB819-85	Screw	M6×12	1
25	C6266A-04-124	Retaining Ring		1
26	GB91-86	Cotter Pin	2×12	2
27	GB77-85	Hexagon Socket Set Screw	M12X12	1
28	C6266A-04-132	Compression Spring		1
29	GB308-84	Steel Ball	φ 10	1
30	C6266A-04-01	Spindle Box Body		1
31		Aluminum Alloy Oil Glass	M27×1.5	1
32	C6266A-04-116	Large Rating Plate	δ1.5	1
33	GB70-85	Hexagon Socket Cap Screw	M16×70	1
34	C6266A-04-135	Pressure Plate		1
35	GB70-85	Hexagon Socket Cap Screw	M16×55	2
36	GB818-85	Screw	M3×6	12
37	GB/T70.2-2000	Screw	M6×10	2
38	C6266A-04-136	Baffle Plate		1
39	C6266A-04-81	End Cover		1
40	GB70-85	Hexagon Socket Cap Set Screw	M16×50	3

No.	Part No.	Name	Specifications	Qty.
41	GB120-86	Pin	16×55	1
42	GB119-86	Cylindrical Pin	A10×60	1
43	GB77-85	Screw	M12×12	1
44	GB70-85	Hexagon Socket Cap Screw	M10×80	1
45	C6266A-04-139	Oil Scavenge Connector		3
46	C6266A-04-46	Washer		1
47	GB278-89	Ball Braring	80108	2
48	GB70-85	Hexagon Socket Cap Screw	M6×12	4
49	C6266A-04-06	Bearing Block	M2.5 , Z42	1
50	GB70-85	Hexagon Socket Cap Set Screw	M6×12	4
51	GB6170-86	Hexagon Nut Type 1	M12	2
52	C6266A-04-130	Screw Bolt		1
53	C6266A-04-129	Brake Ribbon		1
54	GB893.2-86	Circlip For Hole	68	2
55	GB894.1-86	Circlip For Shaft	40	1
56	C6266A-04-48	Pressing Sleeve		1
57	GB278-89	Ball Braring	80207	1
58	GB894.1-86	Circlip For Shaft	35	1
59	C6266A-04-146	Oil Pump Coupling Sleeve		1
60	C6266A-04-137	Oil Pump Coupling		1
61	SNBY2.5/0.5	Oil Pump		1
62	C6266A-04-58	Stopper		1
63	GB/T3452.1-1992	Rubber O Ring	73×2.65	1
64	G52-2	Combined Sealing Washer	14	2
65	C6246B-101087	Connector Body M14/10		2
66	25677	Biconical Cutting Ferrule		5
67	25568	Oil Pipe Connector		5
68	30242	Nylon Pipe	φ 10×320	1
69	C6266A-04-140	Straight Coupling		1
70	30242	Nylon Pipe	φ 10×940	1
71	C6246B-101088	Connector Body M18/10		1
72	WU-16×180-J	Oil Filter		1
73	C6266A-04-51	Input Shaft		1
74	GB120-86	Pin	6×20	2
75	C6266A-04-128	Roller		1
76	C6266A-04-126	Brake Base		1
77	C6266A-04-127	Pin Roll		1
78	GB119-86	Cylindrical Pin	A4X35	1
79	C6266A-04-50	Pull Rod		1
80	C6266A-04-49	Lever		1

No.	Part No.	Name	Specifications	Qty.
81	GB119-86	Cylindrical Pin	A8×28	1
82	C6266A-04-39	Copper Sheathing		1
83	C6266A-04-05	Friction Plate Holder	M2.5 , Z55	1
84	C6266A-04-38	Spacing Collar		1
85	GB119-86	Cylindrical Pin	D5×10	2
86	C6266A-04-40	Spline Washer I		2
87	C6266A-04-41	Spline Washer Ii		2
88	C6266A-04-42	Friction Plate		16
89	GB1096-79	Round-Head Ordinary Flat Key	A10×80	1
90	C6266A-04-44	Spline Housing		1
91	C6266A-04-53	Compression Spring		2
92	C6266A-04-52	Check Pin		2
93	C6266A-04-45	Adjusting Screw Nut		2
94	C6266A-04-43	Friction Plate		14
95	C6266A-04-47	Friction Plate Holder		1
96	GB812-88	Round Nut	M33×1.5	1
97	GB858-88	Lock Washer For Round Nut	33	1
98	GB70-85	Hexagon Socket Cap Set Screw	M8×20	11
99	C6266A-04-34	Flange		1
100	C6266A-04-35	Belt Pulley		1
101	GB894.1-86	Circlip For Shaft	60	1
102	C6266A-04-36	Distance Bushing		1
103	GB278-89	Ball Braring	80112	2
104	GB119-86	Cylindrical Pin	A12×70	1
105	GB/3452.1-1992	Rubber O Ring	136×3.55	1
106	GB/T13871-1992	Rotary Shaft Lip Seal	FB040055	1
107	GB893.2-86	Circlip For Hole	80	1
108	GB120-86	Pin	8×24	2
109	C6266A-04-37	Bearing Block		1
110	GB278-89	Ball Braring	80208	1
111	C6266A-04-38	Spacing Collar		1
112	C6266A-04-54	Stopper		2
113	C6266A-04-96	Transmission Fork		1
114	C6266A-04-95	Locking Block		1
115	GB70-85	Hexagon Socket Cap Set Screw	M6×30	2
116	C6266A-04-94	Shaft		1
117	GB/T3452.1-1992	Rubber O Ring	36.5×1.8	1
118	C6266A-04-93	Shaft Sleeve		1
119	C6266A-04-55	Idle Shaft		1
120	GB278-89	Ball Braring	80205	2

No.	Part No.	Name	Specifications	Qty.
121	GB893.1-86	Circlip For Hole	52	1
122	C6266A-04-04	Idle Wheel	M2.5,Z32	1
123	C6266A-04-56	Spacing Collar		1
124	C6266A-04-57	Sheath		1
125	GB77-85	Screw	M10×10	2
126	GB308-84	Steel Ball	φ 8	2
127	GB/T3452.1-1992	Rubber O Ring	22.4×2.65	2
128	C6266A-04-105	Supporting Axle		1
129	GB308-84	Steel Ball	φ 12	4
130	C6266A-04-102	Locating Shaft		1
131	GB119-86	Cylindrical Pin	A6×16	1
132	C6266A-04-109	Transmission Fork		1
133	GB308-84	Steel Ball	φ 10	2
134	C6266A-04-132	Compression Spring		2
135	C6266A-04-112	Transmission Fork		1
136	GB6170-86	Hexagon Nut Type 1	M12	2
137	GB93-87	Standard Type Spring Washer	12	2
138	GB77-85	Screw	M12×30	2
139	C6266A-04-71	Balancing Sheet		2
140	GB79-85	Screw	M6×10	4
141	C6266A-04-32	Locking Screw Nut		1
142	GB77-85	Screw	M10×10	1
143	GB70-85	Hexagon Socket Cap Screw	M8×45	5
144	C6266A-04-73	Rear End Cover		1
145	C6266A-04-73-1	Gasket For Rear End Cover		1
146	C6266A-04-72	Oil Scavenge Ring		1
147	GB276-89	Deep Groove Ball Bearing	124	1
148	GB77-85	Screw	M10×10	1
149	C6266A-04-31-1	Pressure Plate		1
150	C6266A-04-31	Locking Screw Nut		1
151	C6266A-04-24	Gear Wheel	M2.5 , Z60	1
152	C6266A-04-32-1	Pressure Plate		1
153	C6266A-04-74	Distance Bushing		1
154	GB297-84	Conical Roller Bearing	D2007926E	1
155	GB70-85	Hexagon Socket Cap Screw	M8×35	1
156	C6266A-04-22	Gear Wheel	M3 , Z54	1
157	GB80-85	Screw	M8×8	2
158	C6266A-04-23	Gear Wheel	M3.5 , Z68	1
159	GB297-84	Conical Roller Bearing	D2007128E	1
160	GB/T3452.1-1992	Rubber O Ring	212×5.3	1

No.	Part No.	Name	Specifications	Qty.
161	C6266A-04-75	Front End Cover		1
162	GB70-85	Hexagon Socket Cap Set Screw	M8×35	6
163	C6266A-04-03	Spindle		1
164	C6266A-04-77	Screw For Cam Lock		6
165	RUN6246-101082-1	Spring		6
166	C6266A-04-76	Cam Lock		6
167	GB1567-79	Round-Head Thin Flat Key	A8×70	1
168	GB1096-79	Round-Head Ordinary Flat Key	A12×100	1
169	C6266A-04-59	Top Cover		3
170	GB278-89	Ball Braring	80207	1
171	C6266A-04-07	Gear Wheel	M2.5 , Z55	1
172	C6266A-04-08	Gear Wheel	M2.5 , Z48	1
173	C6266A-04-09	Gear Wheel	M2.5 , Z35	1
174	C6266A-04-10	Gear Wheel	M2.5 , Z29	1
175	C6266A-04-11	Gear Wheel	M2.5 , Z42	1
176	C6266A-04-61	Spacing Collar		1
177	GB278-89	Ball Braring	80206	2
178	C6266A-04-60	Spline Shaft		1
179	GB1096-79	Round-Head Ordinary Flat Key	A8×28	1
180	C6266A-04-13	Gear Shaft	M2.5 , Z20	1
181	C6266A-04-62	Spacing Collar		1
182	C6266A-04-12	Gear Wheel	M2.5 , Z54	1
183	GB73-85	Slotted Plain-Head Set Screw	M8×12	1
184	GB921-86	Steel Wire Locking Collar	D=71	1
185	GB278-89	Ball Braring	80106	1
186	C6266A-04-63	Top Cover		1
187	GB77-85	Screw	M10×10	2
188	GB/3452.1-1992	Rubber O Ring	51.5×2.65	1
189	GB278-89	Ball Braring	80106	1
190	C6266A-04-64	Stopper		1
191	GB77-85	Screw	M10×20	2
192	C6266A-04-65	Stopper		1
193	GB278-89	Ball Braring	80306	1
194	GB1096-79	Round-Head Ordinary Flat Key	A8×20	2
195	C6266A-04-14	Gear Wheel	M2.5 , Z28	1
196	C6266A-04-15	Gear Wheel	M2.5 , Z41	1
197	C6266A-04-16	Gear Wheel	M2.5 , Z47	1
198	C6266A-04-17	Gear Wheel	M2.5 , Z34	1
199	GB278-89	Ball Braring	80108	2
200	C6266A-04-18	Gear Wheel	M2.5 , Z22	1

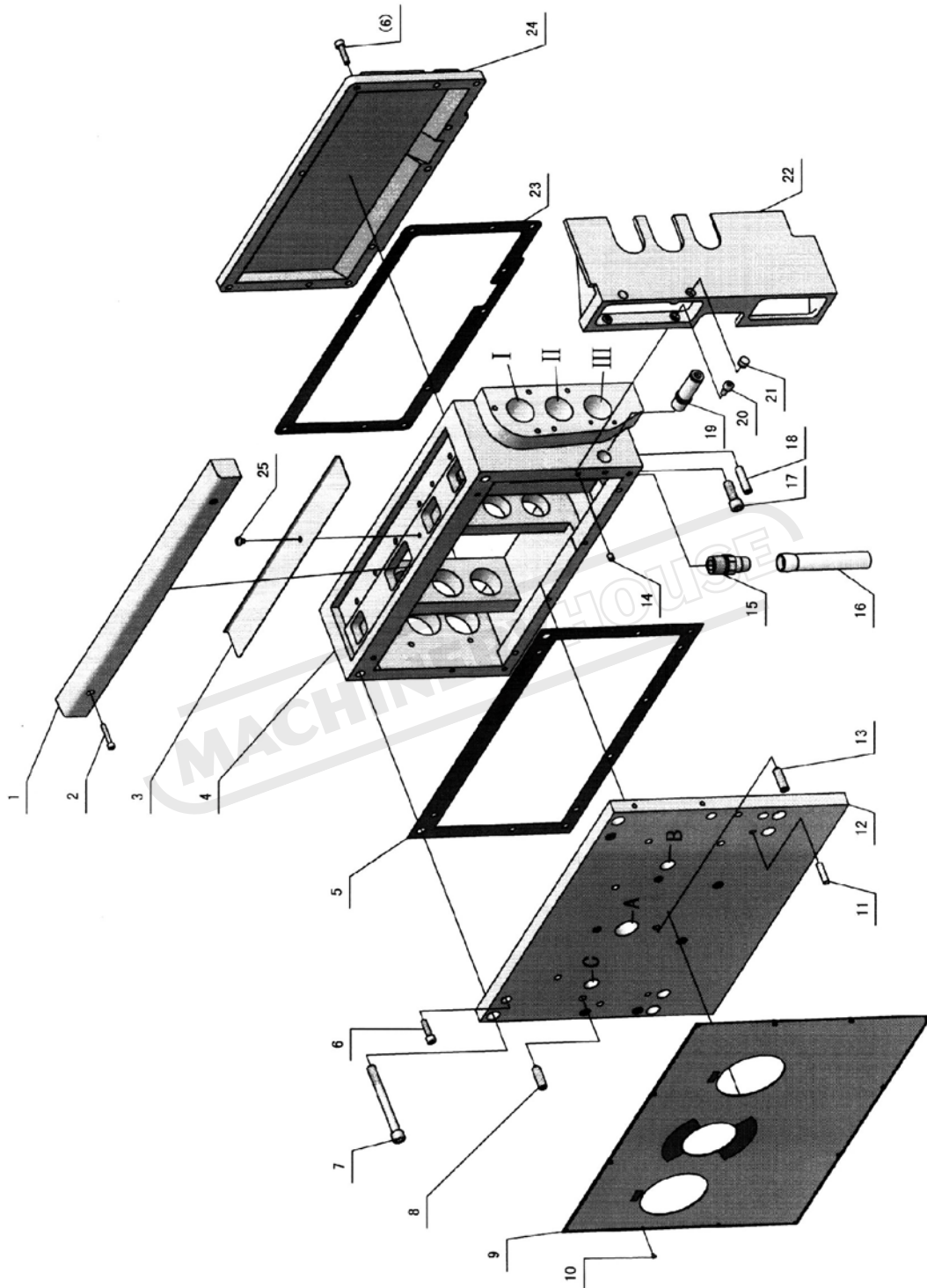
No.	Part No.	Name	Specifications	Qty.
201	GB278-89	Ball Braring	80202	1
202	C6266A-04-68	Spline Shaft		1
203	C6266A-04-19	Gear Wheel	M2.5 , Z22/Z56	1
204	GB297-84	Conical Roller Bearing	2007108E	1
205	C6266A-04-69	Distance Bushing		1
206	GB894.1-86	Circlip For Shaft	55	1
207	C6266A-04-20	Gear Wheel	M3 , Z46	1
208	GB1096-79	Round-Head Ordinary Flat Key	A8×36	2
209	C6266A-04-21	Gear Wheel	M3.5 , Z17	1
210	GB297-84	Conical Roller Bearing	7306E	1
211	C6266A-04-70	Stopper		1
212	GB/3452.1-1992	Rubber O Ring	65×3.55	1
213	C6266A-04-78	Stopper		1
214	JB/T7590-94	Wave Washer	47	3
215	GB278-89	Ball Braring	80204	1
216	GB894.1-86	Circlip For Shaft	36	1
217	C6266A-04-25	Gear Wheel	M2 , Z30	1
218	GB894.1-86	Circlip For Shaft	55	1
219	C6266A-04-26	Gear Wheel	M2.5 , Z60	1
220	C6266A-04-27	Gear Wheel	M2.5 , Z28	1
221	GB1096-79	Round-Head Ordinary Flat Key	A12×28	1
222	C6266A-04-80	Sheath		1
223	GB278-89	Ball Braring	80104	1
224	C6266A-04-133	Compression Spring		2
225	GB308-84	Steel Ball	φ 8	2
226	C6266A-04-79	Shaft		1
227	GB894.1-86	Circlip For Shaft	30	1
228	GB893.2-86	Circlip For Hole	62	1
229	C6266A-04-85	Sealing Shaft Sleeve		1
230	GB/T13871-1992	Rotary Shaft Lip Seal	FB030042	1
231	GB278-89	Ball Braring	80206	1
232	GB3452.1-1992	Rubber O Ring	73×2.65	1
233	GB70-85	Hexagon Socket Cap Screw	M8×20	3
234	C6266A-04-84	Flange		1
235	GB?13452.1-1992	Rubber O Ring	45×2.65	1
236	C6266A-04-86	Output Shaft		1
237	GB1096-79	Round-Head Ordinary Flat Key	A8×40	1
238	C6266A-04-28	Gear Wheel	M2 , Z30	1
239	C6266A-04-87	Spacing Collar		1
240	GB278-89	Ball Braring	80103	1

No.	Part No.	Name	Specifications	Qty.
241	GB77-85	Screw	M10×10	1
242	GB308-84	Steel Ball	φ 8	1
243	GB/T3452.1-1992	Rubber O Ring	20×2.65	1
244	GB308-84	Steel Ball	φ 10	2
245	GB879-86	Pin	3×12	4
246	C6266A-04-88	Output Idler Shaft		1
247	C6266A-04-89	Spacing Collar		2
248	C6266A-04-30	Gear Wheel	M2 , Z25	1
249	SF-1	Oil-Free Lubrication Bearing	2025	1
250	C6266A-04-90	Retaining Ring		2
251	GB93-87	Standard Type Spring Washer	6	2
252	GB70-85	Hexagon Socket Cap Set Screw	M6×16	2
253		Lucite Pipe	φ 5×δ1×150	1
254	C6266A-04-83	Oil Outlet Connector		1
255	GB/T3452.1-1992	Rubber O Ring	23.6×2.65	1
256	C6266A-04-82	Oil Outlet Plug		1
257	C6266A-04-91	Shaft		1
258	GB308-84	Steel Ball	φ 12	2
259	GB/T3452.1-1992	Rubber O Ring	23.6×2.65	1
260	GB308-84	Steel Ball	φ 8	1
261	GB77-85	Screw	M10×20	1
262	C6266A-04-29	Gear Wheel	M2.5 , Z28	1
263	SF-1	Oil-Free Lubrication Bearing	2018	1
264	C6266A-04-92	Transmission Fork Block		1
265	GB5783-86	Hexagon Head Bolt	M8×25	1
266	GB6170-86	Hexagon Nut Type 1	M8	2
267	GB5783-86	Hexagon Head Bolt	M8×40	1
268	GB308-84	Steel Ball	φ 10	1
269	C6266A-04-132	Compression Spring		1
270	GB93-87	Standard Type Spring Washer	12	1
271	GB6170-86	Hexagon Nut Type 1	M12	1
272	GB77-85	Screw	M12×30	1
273	GB1235-76	Rubber O Ring	22×2.4	5
274	RUN6246-101067	Locater Card		5
275	GB879-86	Resilient Cylindrical Pin	3×12	5
276	C6266A-04-108	Speed- Changeable Wheel		1
277	C6266A-04-117	Speed Rating Plate	δ0.5	1
278	C6266A-04-145	Fixed Block		1
279	RUN6246-101088	Screw		5
280	GB80-85	Screw	M4×20	5

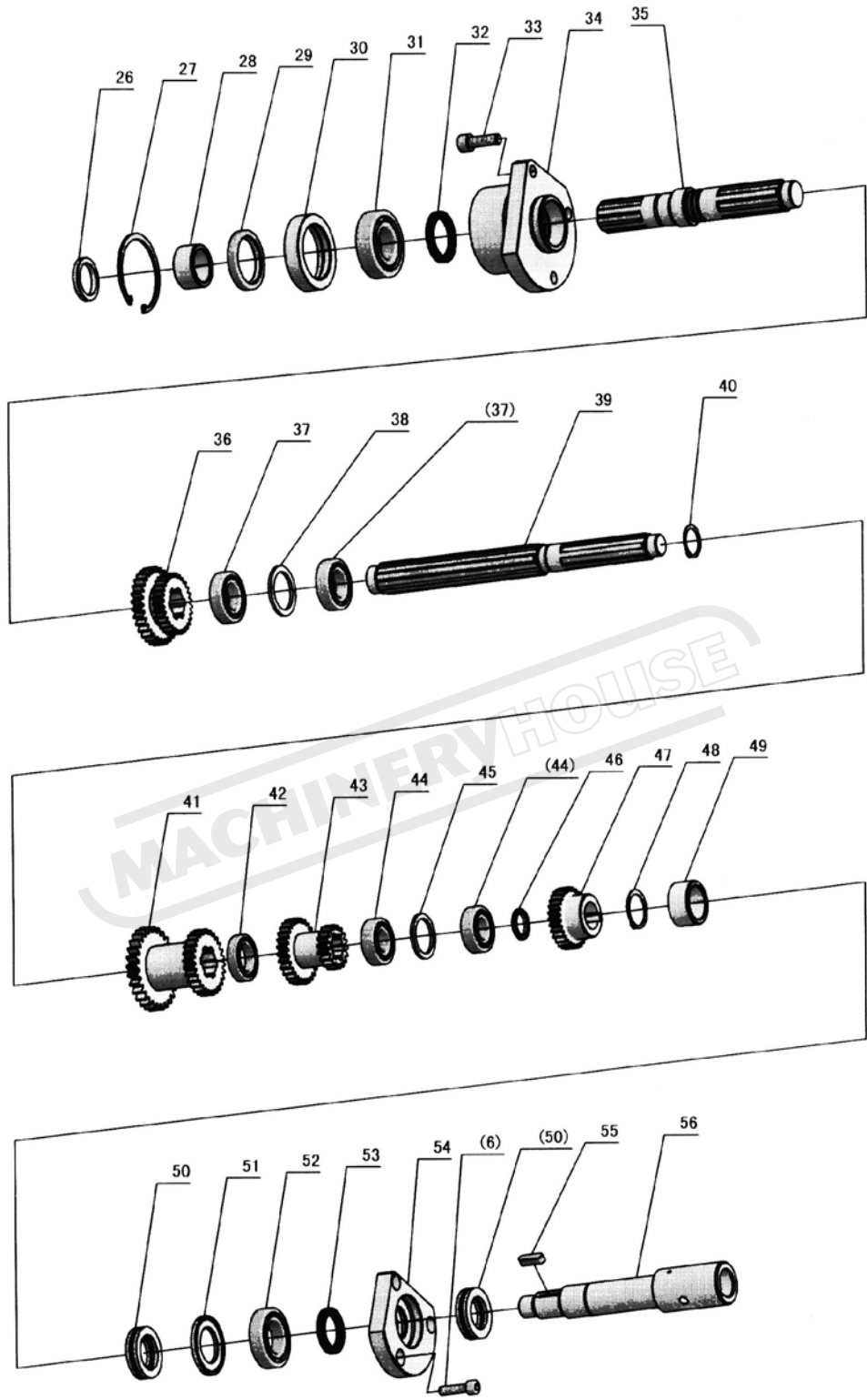


No.	Part No.	Name	Specifications	Qty.
281	GB119-86	Cylindrical Pin	A4×20	1
282	C6266A-04-144	Handle		1
283	GB819-85	Screw	M6×12	10
284	C6266A-04-113	Mandrel		1
285	C6266A-04-110	Sheath		3
286	GB80-85	Screw	M6×8	8
287	C6266A-04-114	Swinging Arm		1
288	GB1096-79	Round-Head Ordinary Flat Key	A5×18	6
289	C6266A-04-115	Fork Rod		1
290	C6266A-04-111	Mandrel		2
291	C6266A-04-106	Swinging Arm		1
292	C6266A-04-107	Fork Rod		2
293	GB1096-79	Round-Head Ordinary Flat Key	A5×12	4
294	C6266A-04-141	Speed Change Handle		4
295	RUN6246-101070-1	Washer		4
296	RUN6246-101099	Rating Plate	δ1	4
297	C6266A-04-142	Handle Lever		2
298	C6266A-04-97	Swinging Arm		1
299	C6266A-04-98	Transmission Fork		2
300	C6266A-04-100	Swinging Arm		1
301	C6266A-04-101	Fork Rod		1
302	C6266A-04-143	Handle Lever		2
303	C6266A-04-103	Swinging Arm		1
304	C6266A-04-104	Fork Rod		1

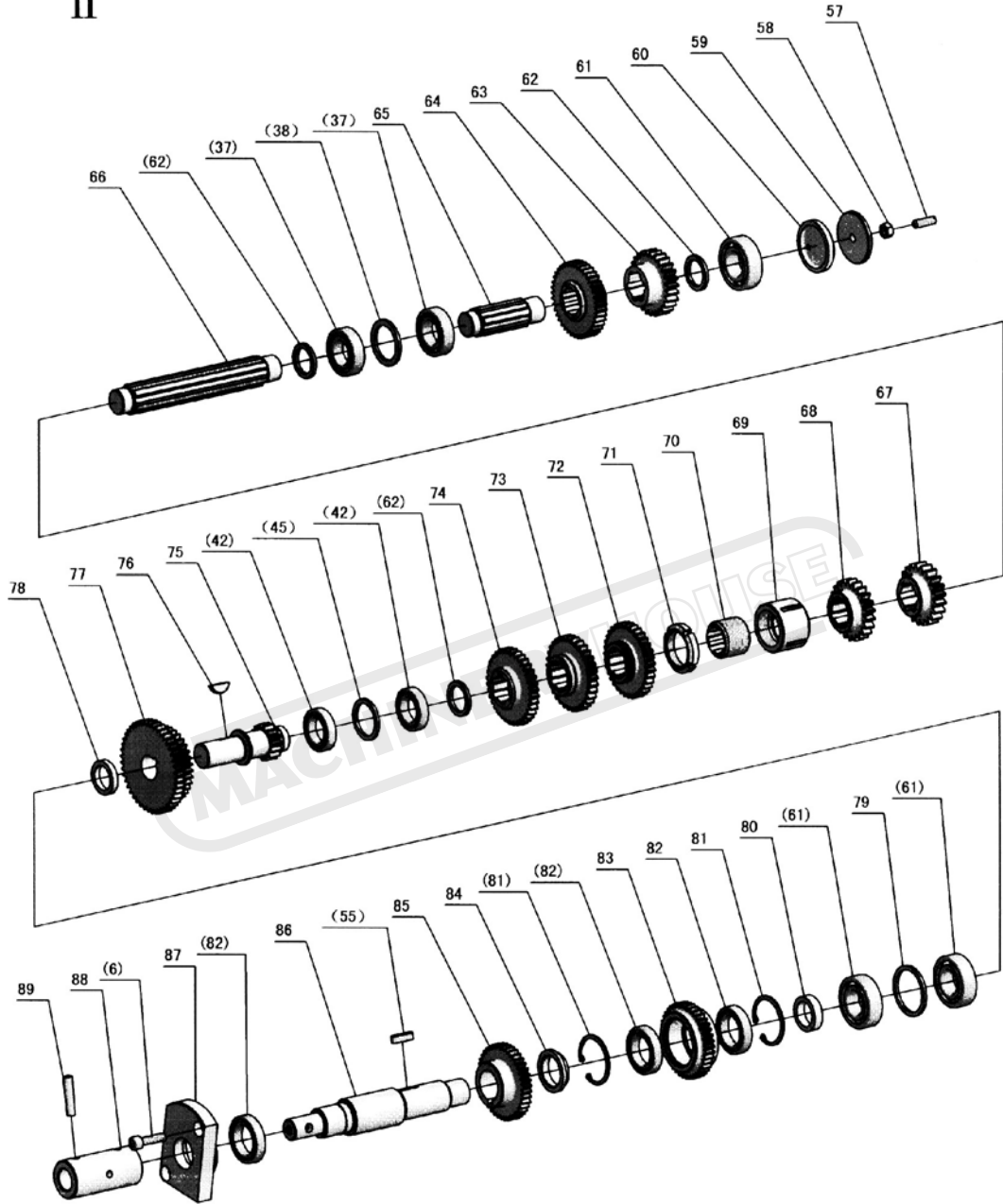
# Gearbox



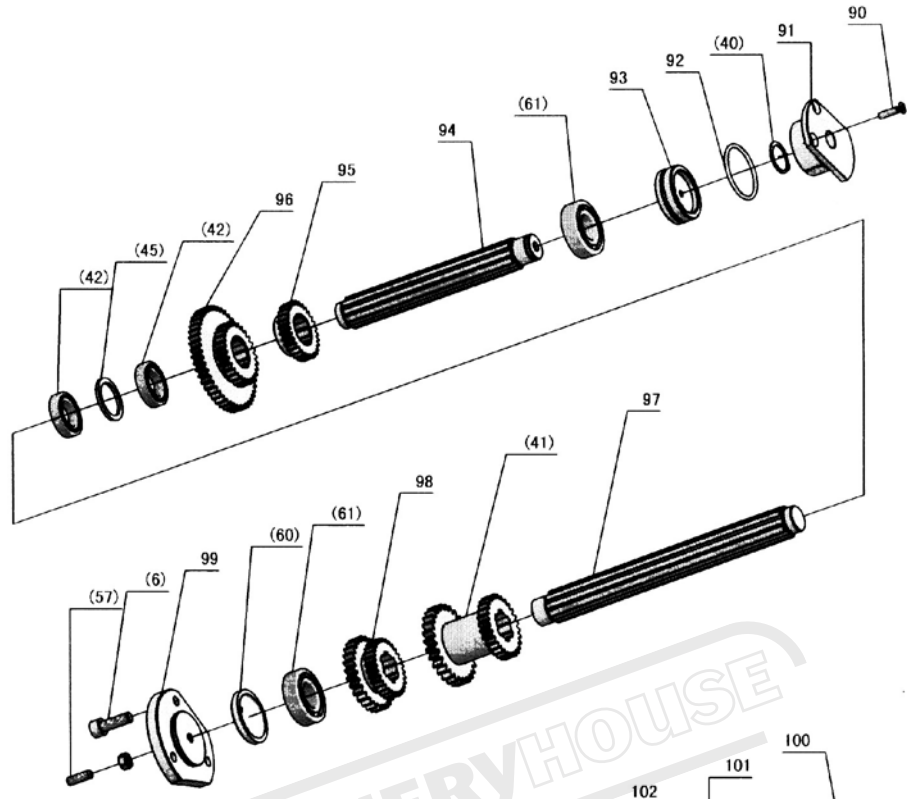
I



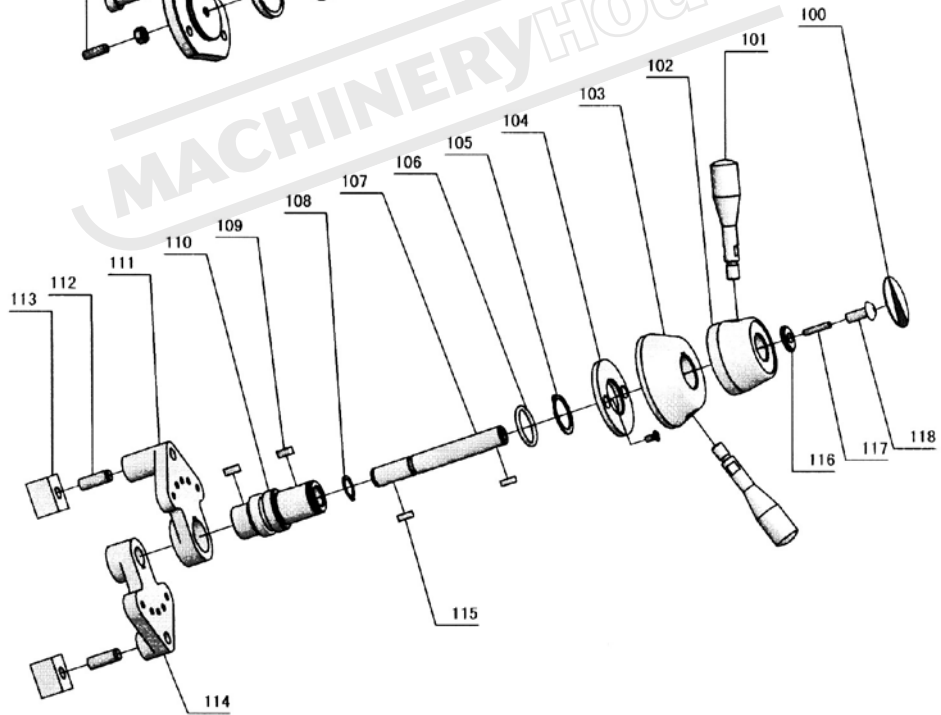
## II

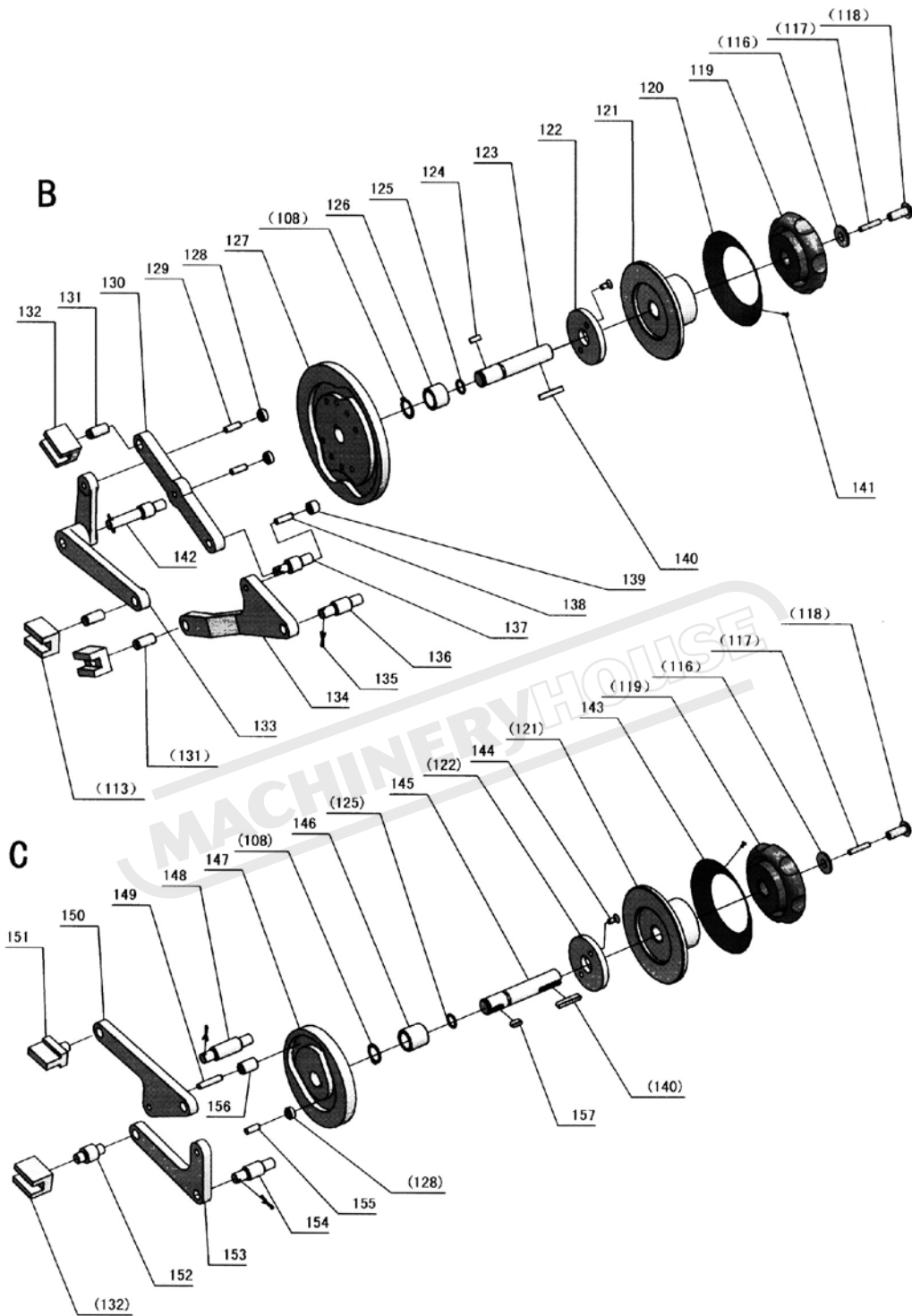


III



A





1	C6266A-05-101	Top Cover Of Feeding Box		1
2	GB70-85	Hexagon Socket Cap Set Screw	M6×35	2
3	C6266A-05-04	Cover Plate		1
4	C6266A-05-01	Feeding Box Body		1
5	C6266A-05-77	Gasket For Front Cover		1
6	GB70-85	Hexagon Socket Cap Screw	M8X30	26
7	GB70-85	Hexagon Socket Cap Screw	M12×150	2
8	Z5035-03-28	Locating Screw		3
9	C6266A-05-92	Panel Of Feeding Box		1
10	GB818-85	Screw	M3X5	12
11	GB117-86	Tapered Cottar	8X35	2
12	C6266A-05-03	Front Cover Of Feeding Box		1
13	C6266A-05-82	Locating Screw		1
14	GB78-85	Screw	M8X10	1
15	C6266A-05-99	Connector		1
16		Lucite Pipe	φ 20×δ2×500	1
17	GB70-85	Hexagon Socket Cap Set Screw	M12×35	2
18	GB118-86	Tapered Cottar	10×45	2
19	C6266A-05-83	Fulcrum Shaft For Control		1
20	GB70-85	Hexagon Socket Cap Screw	M8X16	2
21	C6266A-05-100	Stopper		2
22	C6266A-05-05	Pushbutton Support		1
23	C6266A-05-78	Sealing Washer For Rear Cover		1
24	C6266A-05-02	Rear Cover Of Feeding Box		1
25	GB818-85	Screw	M6X8	1
26	C6266A-05-46	Washer		1
27	GB893.1-86	Hole Baffle	70	1
28	C6266A-05-47	Distance Bushing		1
29	GB13871-1992	Rotary Shaft Lip Seal Ring	B4055	1
30	C6266A-05-48	Oil Sealing Sleeve		1
31	GB/T276-1994	Deep Groove Ball Bearing	6206	1
32	FJ145-63	Felt Ring	35	1
33	GB70-85	Hexagon Socket Cap Screw	M10X30	3
34	C6266A-05-49	End Cover I		1
35	C6266A-05-38	Shaft I		1
36	C6266A-05-20	Duplicate Gear	Z30/Z29	1
37	GB/T276-1994	Deep Groove Ball Bearing	6005	4
38	C6266A-05-50	Spacing Collar I		2
39	C6266A-05-42	Shaft V		1
40	GB894.1-86	Axle Bumper	25	2
<b>NO.</b>	<b>Part No.</b>	<b>Name</b>	<b>Specifications</b>	<b>Qty</b>

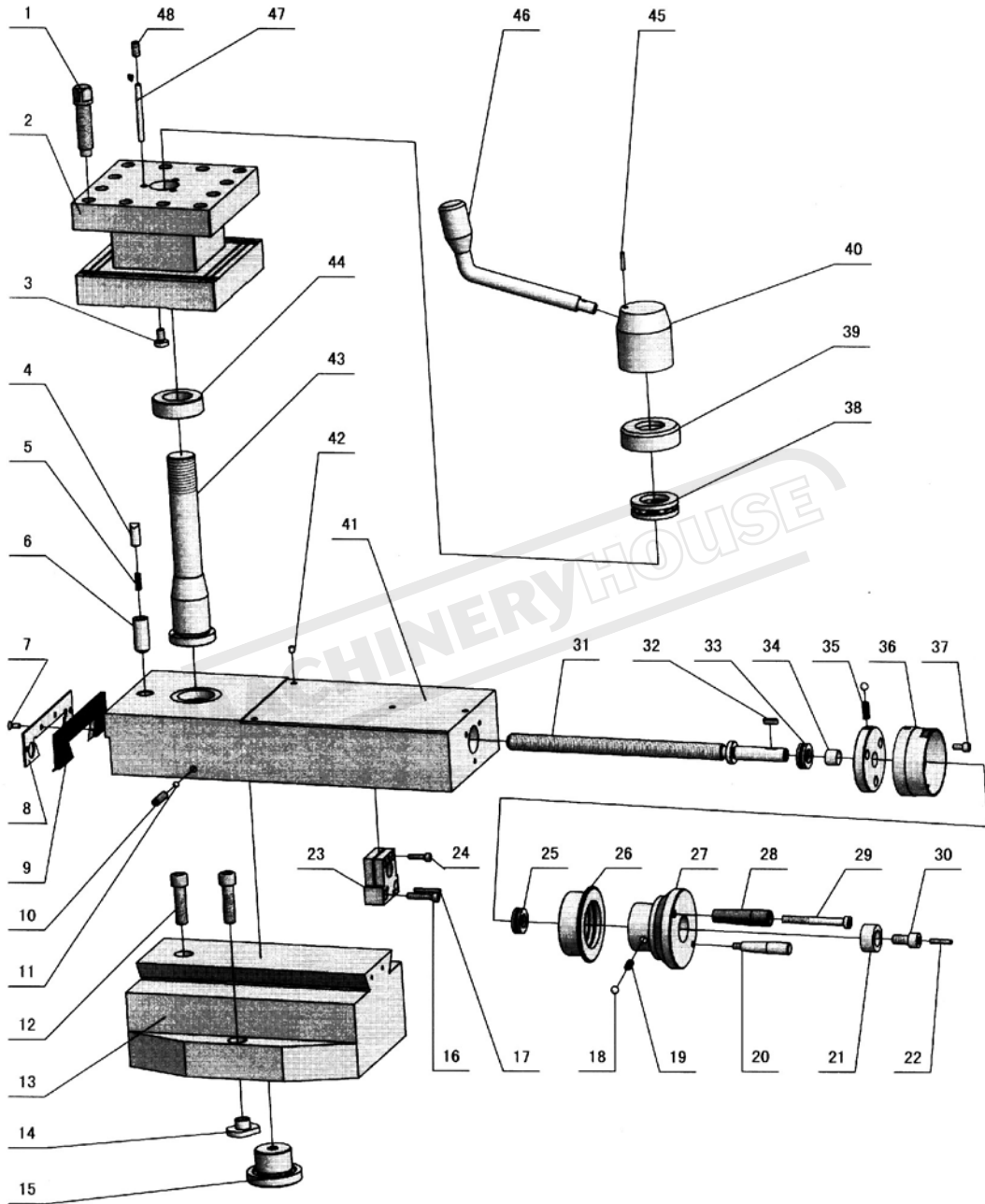
41	C6266A-05-24	Duplicate Gear	Z28/28	2
42	GB/T276-1994	Deep Groove Ball Bearing	61905	5
43	C6266A-05-30	Duplicate Gear	Z28/18	1
44	GB/T276-1994	Deep Groove Ball Bearing	6004	2
45	C6266A-05-51	Spacing Collar Ii		3
46	C6266A-05-52	Spacing Collar Iii		1
47	C6266A-05-37	Gear Wheel	Z29	1
48	GB894.1-86	Axle Bumper	30	1
49	C6266A-05-53	Distance Bushing I		1
50	GB/T301-1995	Thrust Ball Bearing	51106	2
51	C6266A-05-54	Shock Insulator		1
52	GB/T276-1994	Deep Groove Ball Bearing	6006	1
53	FJ145-63	Felt Ring	30	1
54	C6266A-05-55	End Cover Ii		1
55	GB1096-79	Round-Head Ordinary Flat Key	8X25	2
56	C6266A-05-45	Shaft VIII		1
57	GB6170-86	Hexagonal Nut	M8	2
58	GB74-85	Screws	M8X25	2
59	C6266A-05-56	Adjusting Cap		1
60	C6266A-05-57	Adjusting Cover		2
61	GB/T276-1994	Deep Groove Ball Bearing	6205	5
62	C6266A-05-58	Spacing Collar Iv		3
63	C6266A-05-21	Gear Wheel	Z27	1
64	C6266A-05-22	Gear Wheel	Z41	1
65	C6266A-05-39	Shaft II		1
66	C6266A-05-41	Shaft IV		1
67	C6266A-05-25	Gear Wheel	Z21	1
68	C6266A-05-26	Gear Wheel	Z22	1
69	C6266A-05-59	Adjusting Nut		1
70	C6266A-05-60	Adjusting Threaded Sleeve		1
71	C6266A-05-61	Round Nut		1
72	C6266A-05-27	Gear Wheel	Z35	1
73	C6266A-05-28	Gear Wheel	Z33	1
74	C6266A-05-29	Gear Wheel	Z36	1
75	C6266A-05-32	Pinion	Z15	1
76	GB1099-79	Semicircular Key	6X9X22	1
77	C6266A-05-31	Duplicate Gear	Z45/Z35	1
78	C6266A-05-62	Spacing Collar V		1
79	C6266A-05-63	Spacing Collar Vi		1
80	C6266A-05-64	Distance Bushing Ii		1
<b>NO.</b>	<b>Part No.</b>	<b>Name</b>	<b>Specifications</b>	<b>Qty</b>

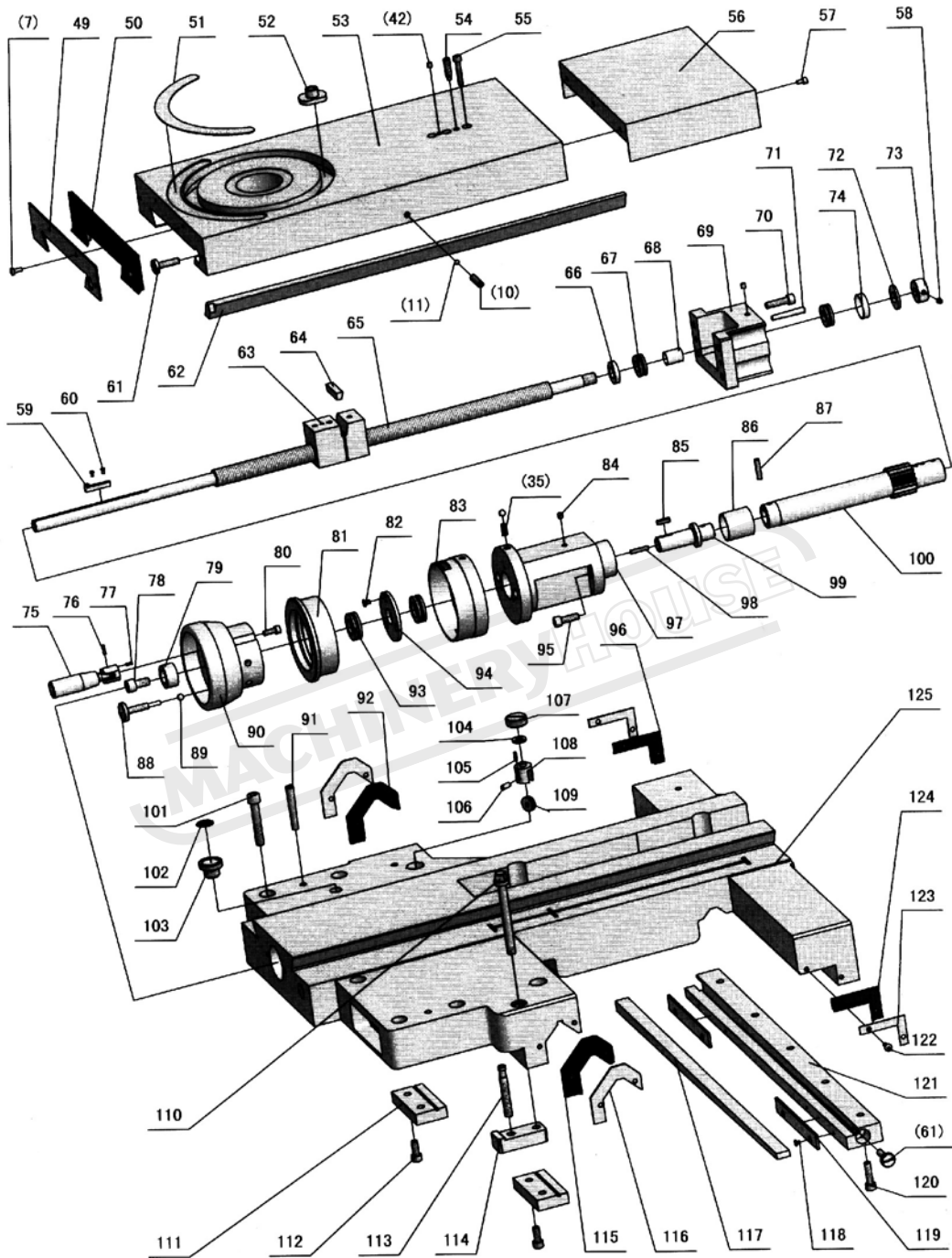


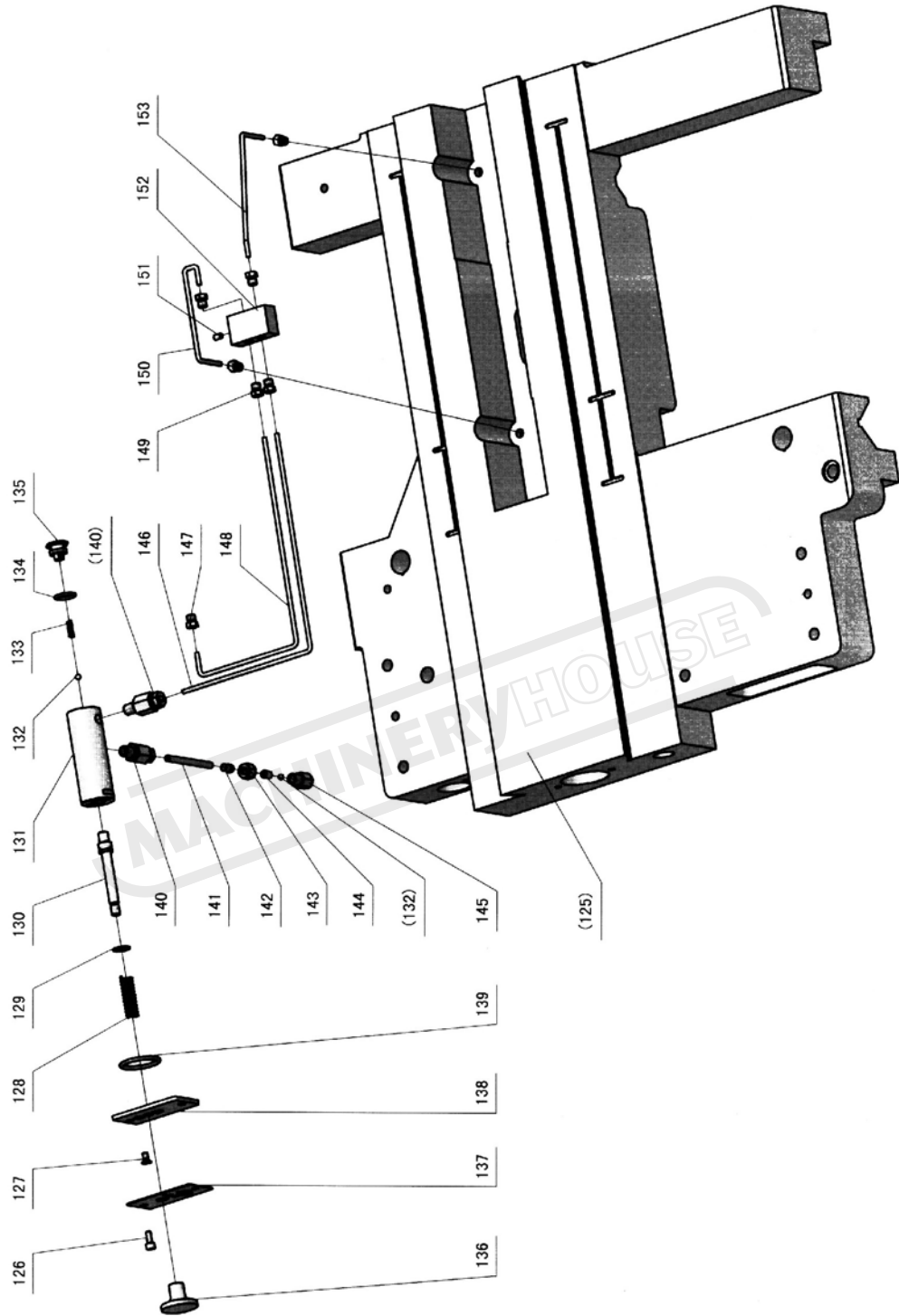
81	GB893.1-86	Hole Baffle	47	2
82	GB/T276-1994	Deep Groove Ball Bearing	61906	3
83	C6266A-05-35	Gear Wheel	Z41	1
84	C6266A-05-65	Distance Bushing Iii		1
85	C6266A-05-36	Gear Wheel	Z41	1
86	C6266A-05-44	Shaft VII		1
87	C6266A-05-66	End Cover Iii		1
88	C6266A-05-67	Feeding Rod Coupling Sleeve		1
89	GB117-86	Tapered Cottar	8X40	2
90	GB819-85	Screw	M6X25	2
91	C6266A-05-70	End Cover V		1
92	GB3452.1-82	Rubber O Ring	46.2×2.65	1
93	C6266A-05-69	Distance Bushing Iv		1
94	C6266A-05-43	Shaft VI		1
95	C6266A-05-34	Gear Wheel	Z30	1
96	C6266A-05-33	Duplicate Gear	Z48/Z28	1
97	C6266A-05-40	Shaft III		1
98	C6266A-05-23	Duplicate Gear	Z28/Z30	1
99	C6266A-05-68	End Cover Iv		1
100	RUN6246-101099	Rating Plate		1
101	C6266A-05-98	Handle Lever		2
102	C6266A-05-93	Gear B Handle Apparatus		1
103	C6266A-05-94	Gear A Handle Apparatus		1
104	C6266A-05-81	Position Limit Washer		1
105	GB894.1-86	Axle Bumper	28	1
106	GB3452.1-82	Rubber O Ring	28X3.55	1
107	C6266A-05-79	Gear B Shifting Axle		1
108	GB894.1-86	Axle Bumper	16	3
109	GB1096-79	Round-Head Ordinary Flat Key	6X14	2
110	C6266A-05-80	Gear A Shifting Axle		1
111	C6266A-05-07	Gear A Swing Block		1
112	GB119-86	Cylindrical Pin	10X28	2
113	C6266A-05-17	Transmission Fork I		4
114	C6266A-05-06	Gear B Swing Block		1
115	GB1096-79	Round-Head Ordinary Flat Key	5X14	2
116	RUN6246-101070-1	Washer		3
117	GB80-85	With Cup Point	M5X25	3
118	RUN6246-101088	Screw		3
119	RUN6246-102053-2	Handwheel		2
120	C6266A-05-97	Rating Plate		1
<b>NO.</b>	<b>Part No.</b>	<b>Name</b>	<b>Specifications</b>	<b>Qty</b>

121	C6266A-05-95	Speed-Changeable Wheel		2
122	C6266A-05-75	Position Limit Washer		2
123	C6266A-05-84	Right Gear Shifting Shaft		1
124	GB1096-79	Round-Head Ordinary Flat Key	4X12	1
125	GB3452.1-82	Rubber O Ring	11.2X2.65	3
126	C6266A-05-85	Liner Bushing		1
127	C6266A-05-13	Large Cam		1
128	C6266A-05-72	Roller I		3
129	GB119-86	Cylindrical Pin	6X18	2
130	C6266A-05-09	Swinging Arm Ii		1
131	GB119-86	Cylindrical Pin	10X22	3
132	C6266A-05-16	Transmission Fork Ii		2
133	C6266A-05-08	Swinging Arm I		1
134	C6266A-05-10	Swinging Arm Iii		1
135	GB91-86	Cotter Pin	2X12	5
136	C6266A-05-86	Fulcrum Shaft Ii		1
137	C6266A-05-88	Fulcrum Shaft Iii		1
138	GB119-86	Cylindrical Pin	6X20	1
139	C6266A-05-89	Roller II		1
140	GB1096-79	Round-Head Ordinary Flat Key	B5X28	2
141	GB827-86	Rivet For Rating Plate	2X5	4
142	C6266A-05-87	Fulcrum Shaft I		1
143	C6266A-05-96	Rating Plate		1
144	GB819-85	Screw	M5X10	6
145	C6266A-05-74	Left Gear Shifting Shaft		1
146	C6266A-05-76	Liner Bushing		1
147	C6266A-05-14	Small Cam		1
148	C6266A-05-18	Fulcrum Shaft V		1
149	GB119-86	Cylindrical Pin	6X28	1
150	C6266A-05-12	Swinging Arm B		1
151	C6266A-05-15	Toggle Piece		1
152	C6266A-05-19	Fulcrum Shaft		1
153	C6266A-05-11	Swinging Arm A		1
154	C6266A-05-73	Fulcrum Shaft Iv		1
155	GB119-86	Cylindrical Pin	6X16	1
156	C6266A-05-71	Roller III		1
157	GB1096-79	Round-Head Ordinary Flat Key	5X12	1

# Saddle







1	GB/T 83	Screw	M16×65	12
2	C6266A-07-23	Square Tool Post		1
3	RUN6246-103058-2	Adjusting Screw	Shared part	3
4	C6266A-07-39	Bouncing Pin		1
5	GB/T 2089	Pressure Spring	1×5×18	1
6	C6266A-07-71	Locating Sleeve		1
7	GB/T 819	Screw	M5X12	8
8	C6266A-07-38	Pressure Plate		1
9	C6266A-07-37	Oil Scraper		1
10	GB/T 77	Screw	M8×30	1
11	GB/T 308	Steel Ball	D6	2
12	GB/T 70	Screw	M12×45	3
13	C6266A-07-20	Turning Mechanism		1
14	C6266A-07-19	T-Slotted Nut		3
15	C6266A-07-21	Central Axis		1
16	GB/T 70	Screw	M6X30	2
17	GB/T 879	Pin	D4X30	2
18	GB/T 308	Steel Ball	D8	10
19	GB2089	Compression Spring	1X6X15	3
20	CD6236-07-05	Handle	Shared part	1
21	C6266A-07-33	Cushion Block		1
22	GB/T 78	Screw	M5×25	1
23	C6266A-07-47	Screw		1
24	GB/T 70	Screw	M5X20	2
25	GB/T 301	Thrust Ball Bearing	51102	1
26	C6266A-07-49	Graduated Ring		1
27	C6266A-07-51	Handwheel		1
28	CD6236-07-39	Handle Casing	Shared part	1
29	CD6236-07-40	Screw	Shared part	1
30	C6266A-07-32	Locking Screw		1
31	C6266A-07-46	Small Lead Screw		1
32	GB/T 1096	Key	3X18	1
33	GB/T 301	Thrust Ball Bearing	51102	1
34		Oil Retaining Bearing	d15XD17X13	1
35	GB2089	Compression Spring	1X6X12	2
36	C6266A-07-50	Graduated Sleeve		1
37	GB/T 70	Screw	M6X12	3
38	GB/T 301	Thrust Ball Bearing	51206	1
39	C6266A-07-42	Adjusting Shim		1
40	C6266A-07-43	Clamping Nut		1
<b>No</b>	<b>Part No.</b>	<b>Name</b>	<b>Specification</b>	<b>Qty.</b>

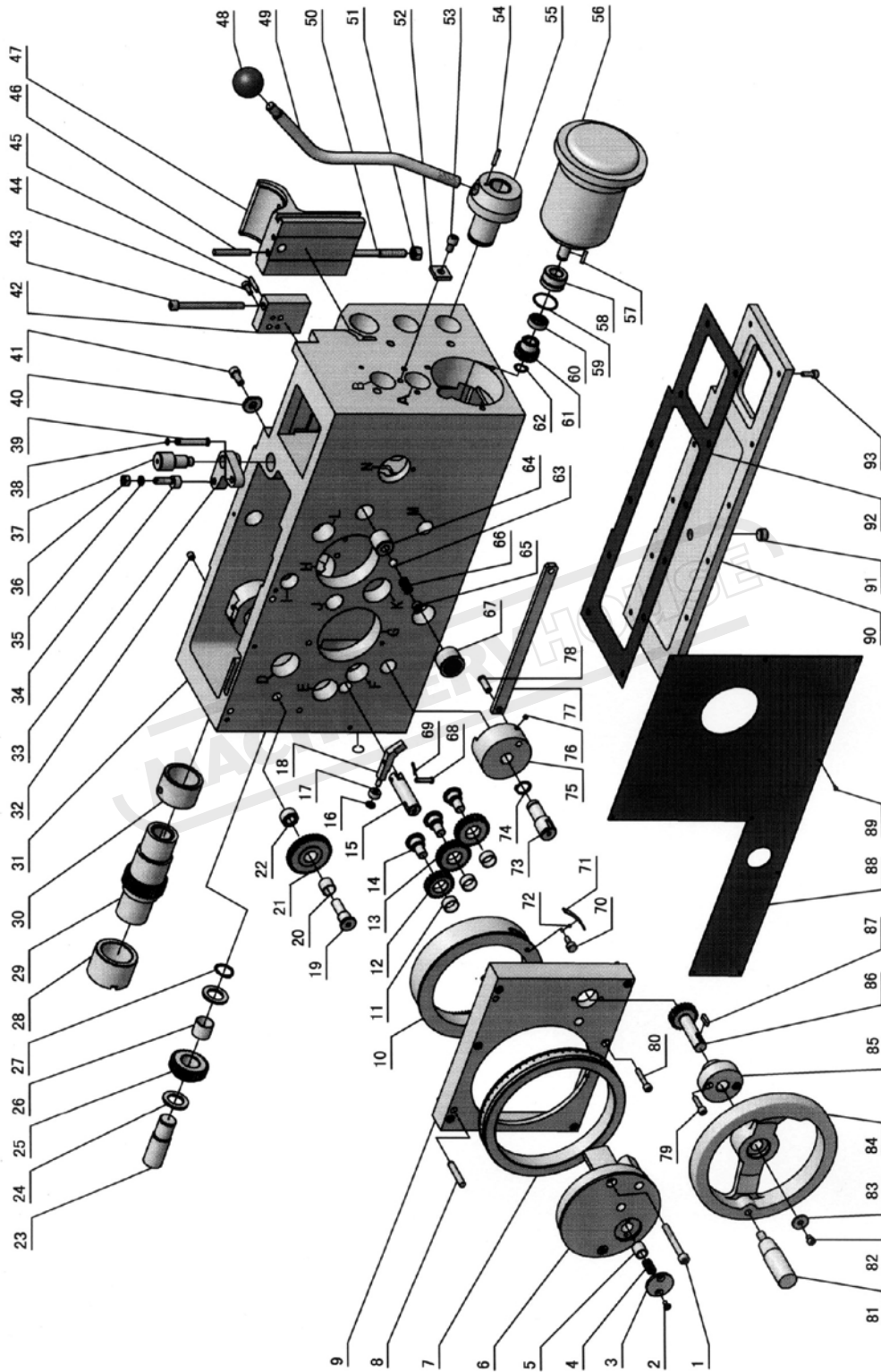
41	C6266A-07-22	Turret Slide		1
42	GB/T 1155	Oil Cup 6	D=6	7
43	C6266A-07-45	Central Axis		1
44	C6266A-07-23	Square Tool Post		1
45	GB/T 119	Cylindrical Pin	D4×20	1
46	C6266A-07-24	Tool Post Handle		1
47	C6266A-07-44	Pin Roll		3
48	GB77	Screw	M8×16	3
49	C6266A-07-27	Pressure Plate		1
50	C6266A-07-26	Oil Scraper		1
51	C6266A-07-62	Rating Plate		1
52	C6266A-07-19	T-Slotted Nut		3
53	C6266A-07-04	Cross Slide		1
54	GB/T 79	Screw	M8×30	1
55	GB/T 70	Screw	M6×35	3
56	C6266A-07-63	Protective Hood		1
57	GB/T 70	Screw	M5×8	3
58	GB/T 80	Screw	M6×8	3
59	C6266A-07-18	Gib-Headed Key		1
60	GB13806A	Screw	M3X5	2
61	RUN6246-103036	Adjusting Screw	Shared Part	5
62	C6266A-07-72	Cross Slide Gibs		1
63	C6266A-07-16	Screw	T=5	1
64	C6266A-07-15	Taper Wedge		1
65	C6266A-07-06	Middle Lead Screw		1
66	C6266A-07-14	Shim		1
67	GB/T 4663	Cylindrical Roller	81102	2
68		Oil-Retaining Bearing	d15XD17×22	1
69	C6266A-07-05	Rear Support Bracket		1
70	GB/T 70	Screw	M8×30	4
71	GB/T 118	Pin	D6X45	2
72	C6266A-07-08	Shim		1
73	C6266A-07-07	Screw Cap	M15×1.5	1
74	C6266A-07-13	Sheath		1
75	C6266A-07-36	Handle Module		1
76	GB/T 119	Cylindrical Pin	D3×12	1
77	GB/T 879	Pin	D3×10	1
78	C6266A-07-32	Locking Screw		1
79	C6266A-07-33	Cushion Block		1
80	GB/T 70	Screw	M6×16	1
<b>No</b>	<b>Part No.</b>	<b>Name</b>	<b>Specification</b>	<b>Qty.</b>

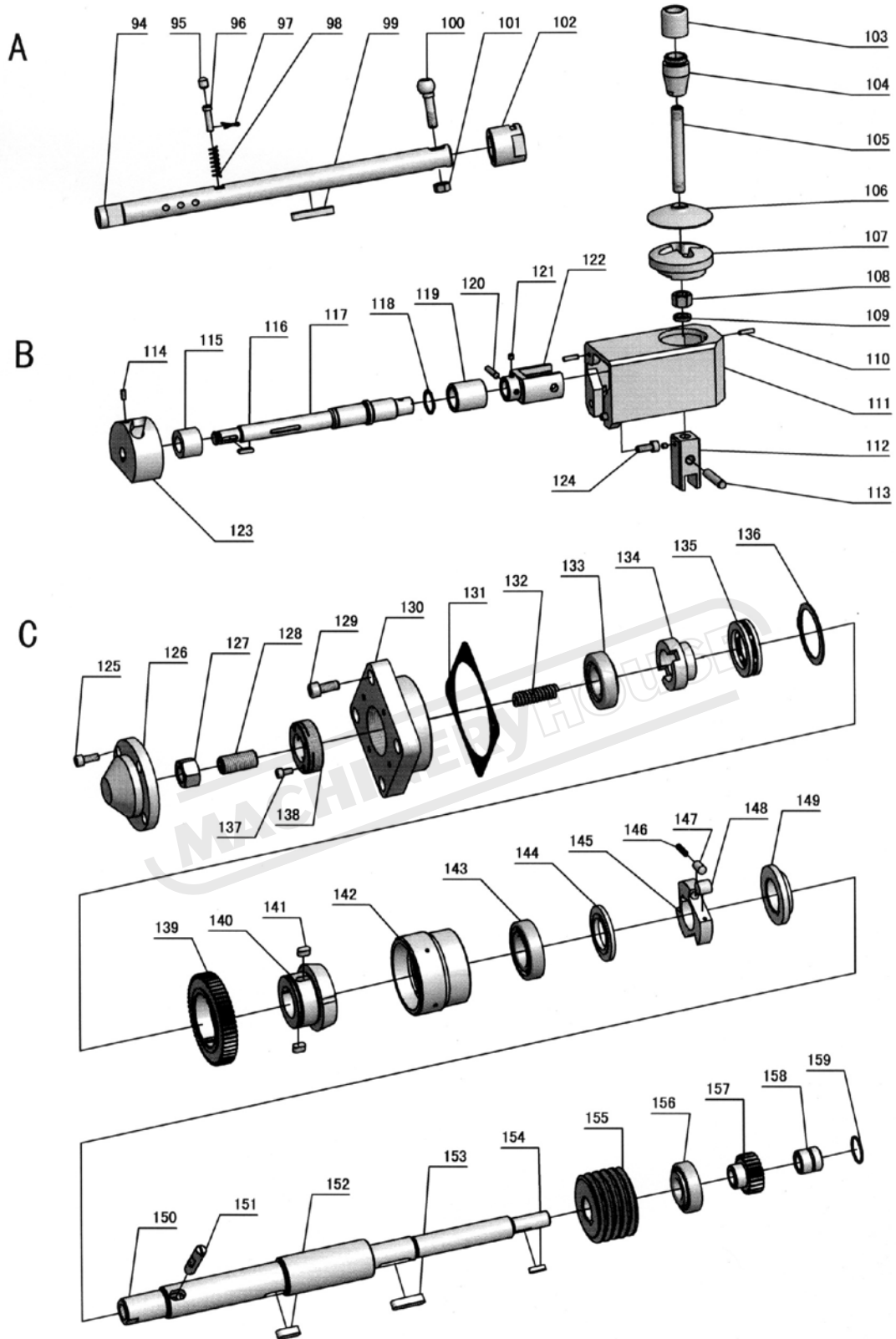
81	C6266A-07-30	Graduated Ring		1
82	GB/T68	Screw M5 X 8	M5×8	3
83	C6266A-07-31	Graduated Sleeve		1
84	GB/T 1155	Oil Cup 6	D=6	1
85	GB1096-79	Key	5×18	1
86		Oil Retaining Bearing	d32XD36X35	2
87	GB/T 119	Cylindrical Pin	D6×30	1
88	C6266A-07-35	Locking Screw		1
89	GB/T 308	Steel Ball	D6	2
90	C6266A-07-34	Handwheel		1
91	GB/T 118	Pin	D8X60	2
92	C6266A-07-61	Pare Off The Oil Plank		1
93	GB/T 301	Thrust Ball Bearing	51104	2
94	C6266A-07-28	Baffle Sheet		1
95	GB/T 70	Screw	M8×25	2
96	C6266A-07-02	Pare Off The Oil Plank		1
97	C6266A-07-34	Handwheel		1
98	GB/T 78	Screw	M5×25	1
99	C6266A-07-29-2	Pinion		1
100	C6266A-07-29-1	Sheath		1
101	GB/T 70	Screw	M10×60	5
102	RUN6246-103031-1	Rating Plate	Shared part	1
103	RUN6246-103031	Oil Plug	Shared part	1
104	GB1992A1	Saucer Spring	18X9.2X1X1.4	3
105	GB/T 119	Cylindrical Pin	D3X12	1
106	GB/T 119	Cylindrical Pin	D6X14	1
107	C6266A-07-55	Cap		2
108	C6266A-07-56	Unloading Bracket		2
109	GB/T 276	Ball Bearing	526	2
110	RUN6246-103077	Braking Tightly Screw	Shared part	1
111	C6266A-07-60	Front Pressure Plate		2
112	GB70-85	Hexagon Socket Cap Set Screw	M8X25	4
113	C6266A-07-53	Pillar Screw Bolt		1
114	C6266A-07-52	Saddle Locking Block		1
115	C6266A-07-59	Screw		1
116	C6266A-07-58	Pressure Plate		2
117	C6266A-07-12	Rear Pressure Plate Gibs		1
118	GB/T 68	Screw	M4×6	5
119	C6266A-07-11	Gibbed Baffle		2
120	GB/T 70	Screw	M8×30	5
<b>No</b>	<b>Part No.</b>	<b>Name</b>	<b>Specification</b>	<b>Qty.</b>

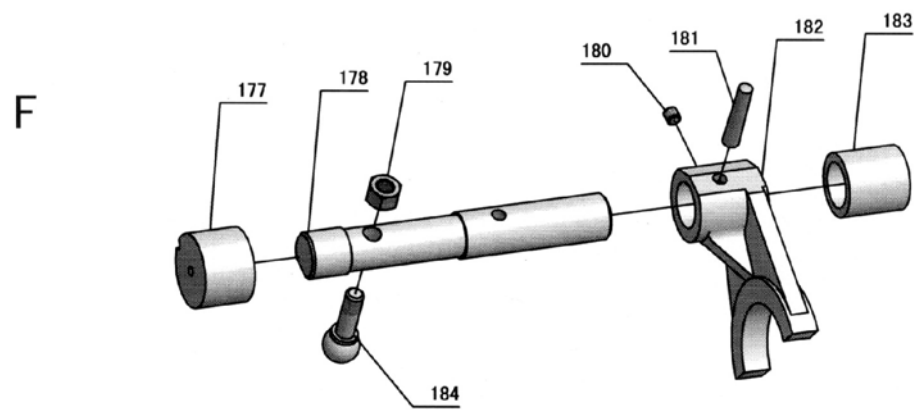
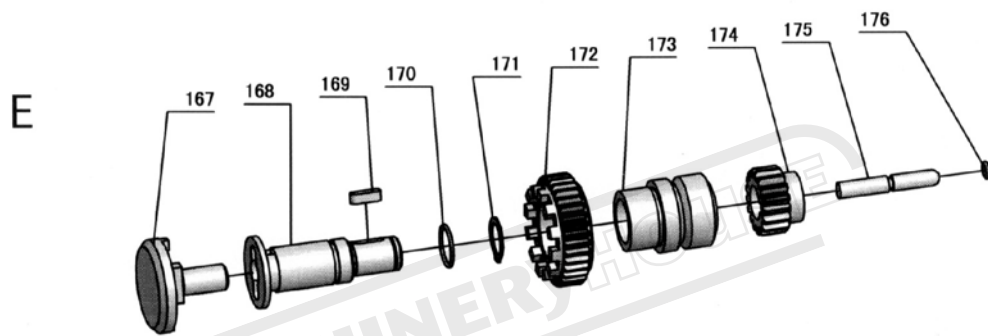
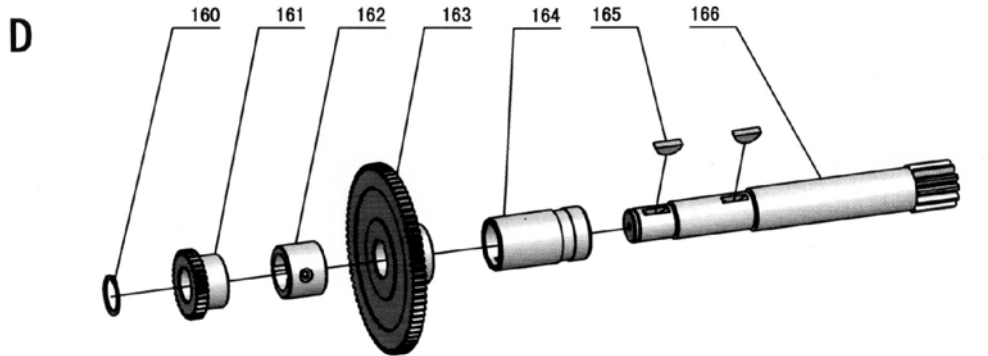


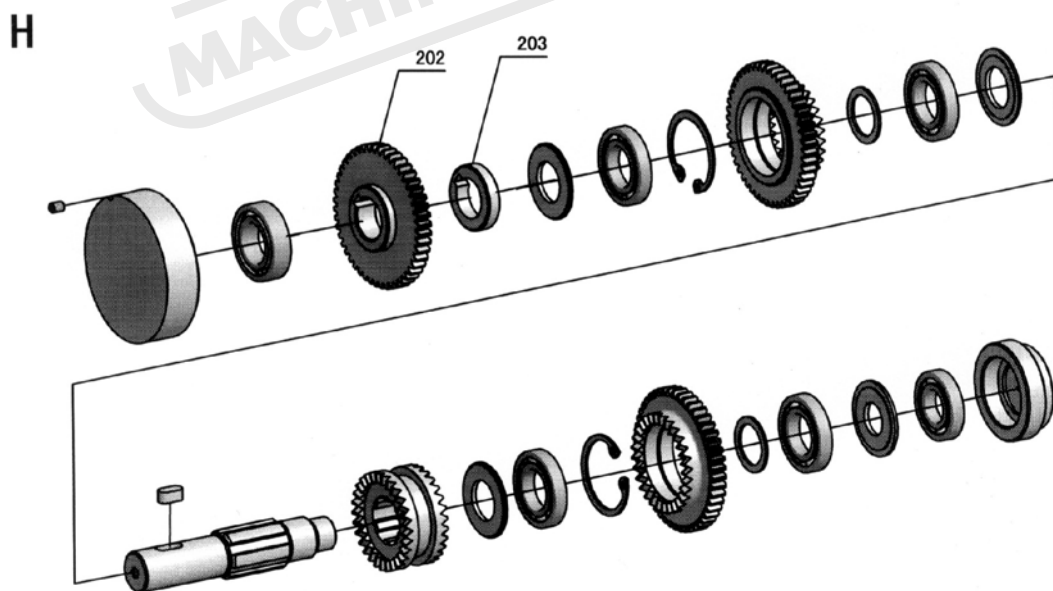
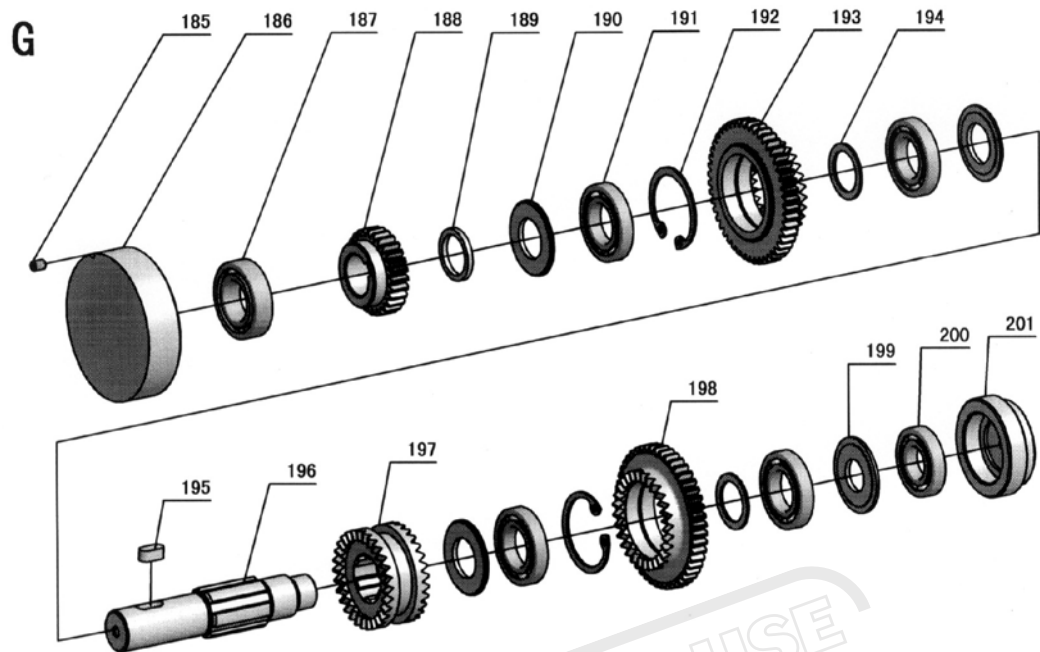
121	C6266A-07-10	Rear Pressure Plate		1
122	GB/T 818	Screws	M5×12	12
123	C6266A-07-01	Pare Off The Oil Plank		2
124	C6266A-07-09	Pare Off The Oil Plank		1
125	C6266A-07-04	Cross Slide		1
126	GB/T 70	Screw	M5×12	2
127	GB/T68	Screw	M5×10	2
128	RUN6246-103065	Spring		1
129	GB/T 1235	O-Ring	13× 1.9	1
130	RUN6246-103064	Piston Rod		1
131	C6266A-07-66	Body Pump		1
132	GB308-84	Steel Ball	φ 5	2
133	GB2089-80	Spring	0.5×4.5×16	1
134	GB1235-76	O-Ring	16×2.4	1
135	RUN6246-103070	Oil Plug		1
136	RUN6246-103067	Plug		1
137	C6266A-07-65	Plate		1
138	C6266A-07-64	Bottom Board		1
139	GB1235-76	O-Ring	32×3.1	1
140	JC1	Tube Fitting	Z 1/8"× φ 6	1
141	C6266A-07-63	Brass Tube	φ 6×280	1
142	RUN6246-103071	Tube Fitting		1
143	RUN6246-103072	Nut		1
144	RUN6246-103073-2	Sleeve		1
145	RUN6246-103073-1	One Way Valve Ass		1
146	C6266A-07-70	Brass Tube	φ 4×460	1
147	JC1	Tube Fitting	Z 1/8"× φ 4	1
148	C6266A-07-67	Brass Tube	φ 4×420	1
149	JC1	Tube Fitting	Z 1/8"× φ 4	6
150	C6266A-07-68	Brass Tube	φ 4×170	1
151	RUN6246-103006	Oil Plug		2
152	RUN6246-103005	Manifold		1
153	C6266A-07-69	Brass Tube	φ 4×190	1

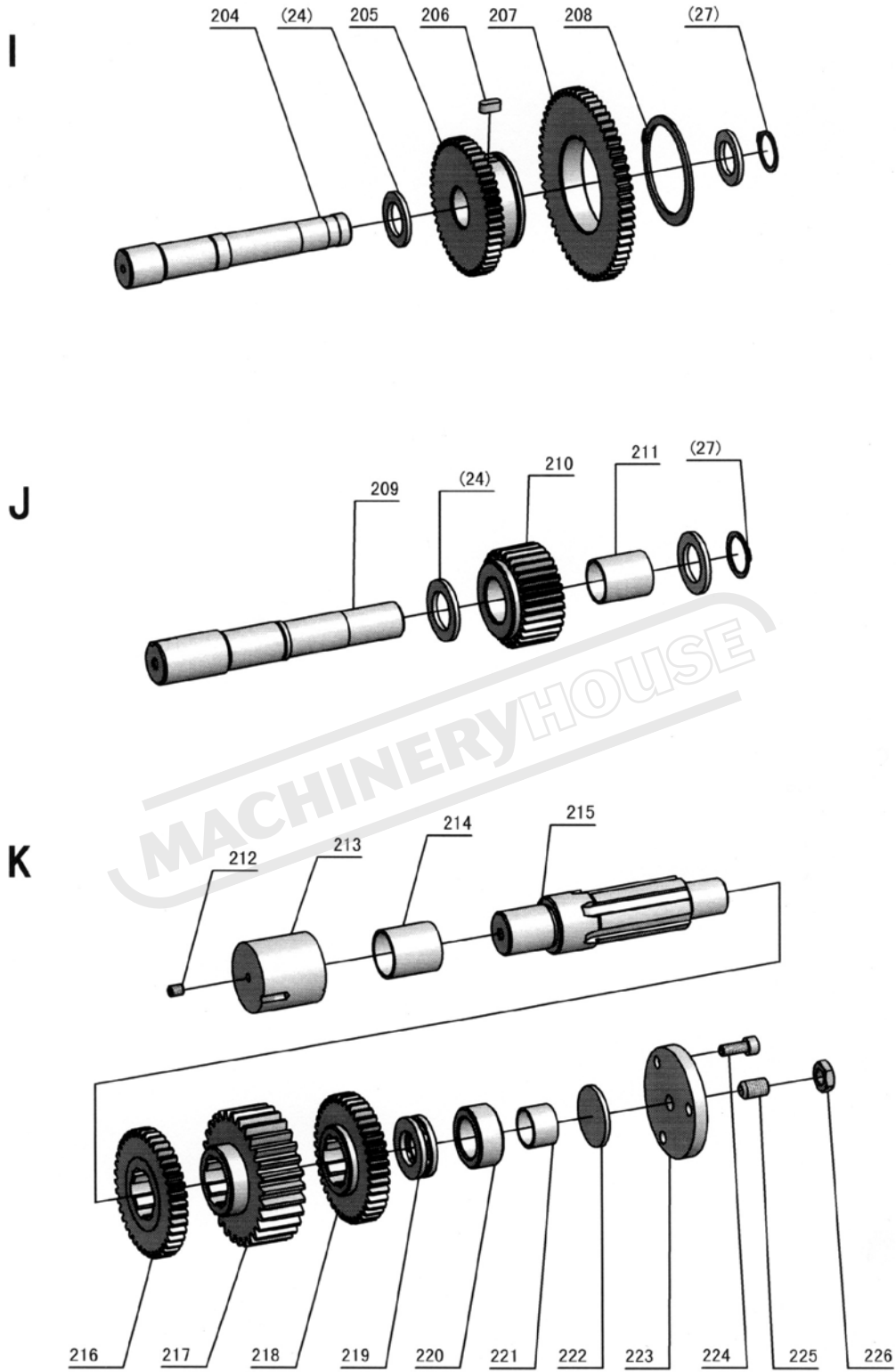
# Apron



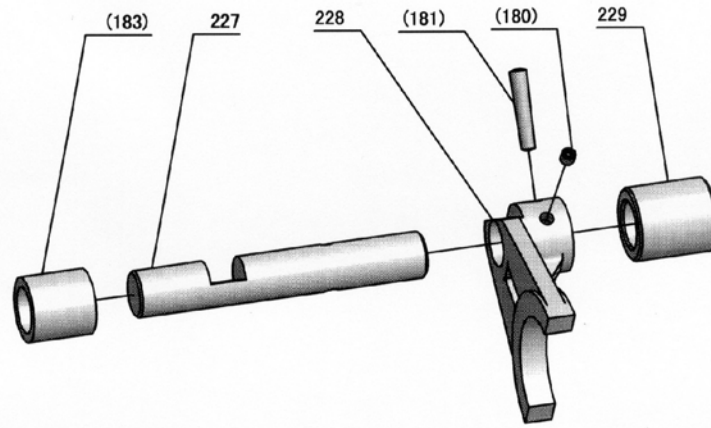




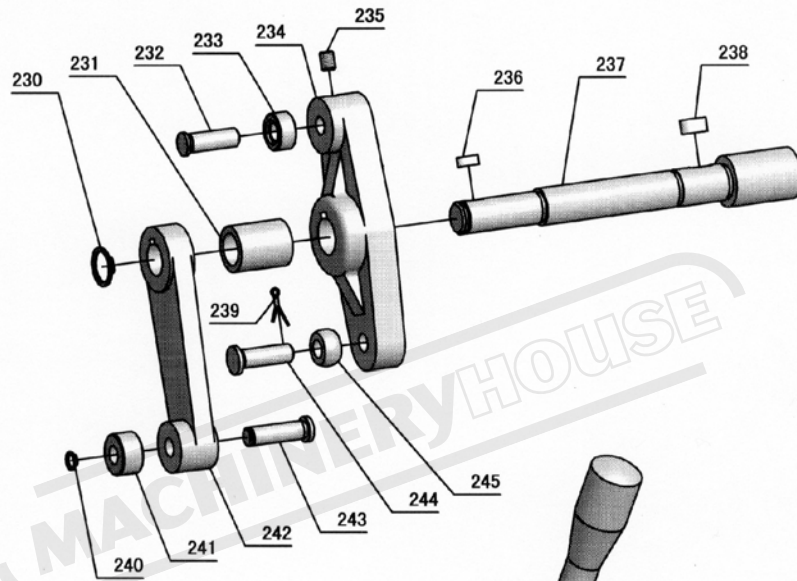




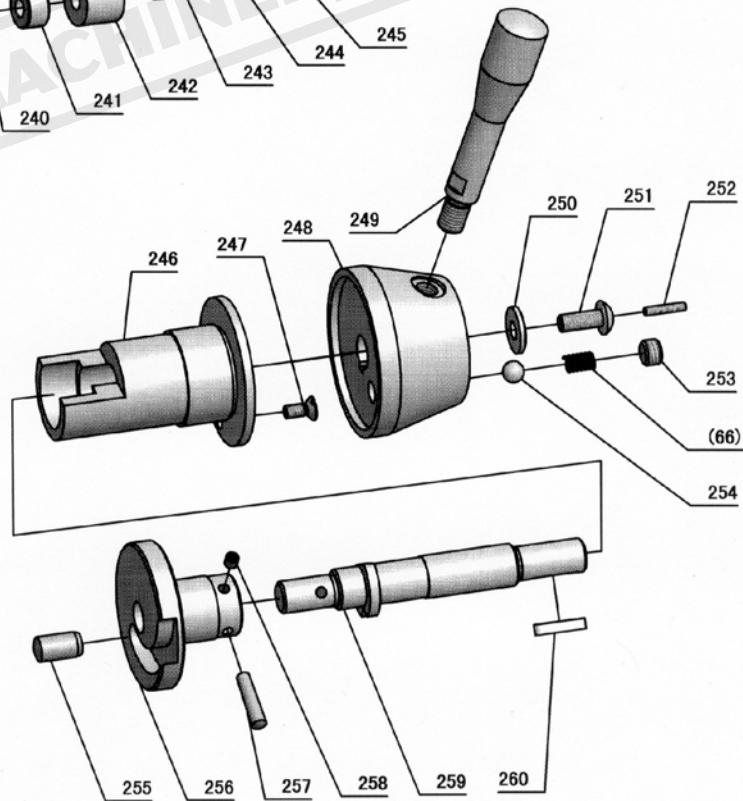
L



M



N



No.	Part No.	Name	Specifications	Qty.
1	GB70-85	Screw	M8×65	2
2	GB68-85	Screw	M5×10	2
3	C6266A-06-040	End Cover		1
4	C6266A-06-038	Pressure Spring		1
5	C6266A-06-039	Top Cover		1
6	C6266A-06-171	Eccentric Disk		1
7	C6266A-06-030	Graduated Ring		1
8	GB119-86	Type A Cylindrical Pin	8×45	2
9	C6266A-06-170	Cover		1
10	C6266A-06-031	Inside-Engaged Gear		1
11	SF-1(DU)	Lubrication Gear	C/SF1810	1
12	C6266A-06-166	Gear	M1.5 , Z29	2
13	C6266A-06-167	Gear	M1.5 , Z24	1
14	C6266A-06-165	Shaft		3
15	C6266A-06-026	Shaft		1
16	GB95-85	Washer	6	1
17	C6266A-06-024	Bulb		1
18	C6266A-06-023	Transmission Fork		1
19	C6266A-06-046	Shaft		1
20	SF-1(DU)	Lubrication Gear	C/SF1615	1
21	C6266A-06-047	Gear Wheel		1
22	C6266A-06-045	Spacing Collar		1
23	C6266A-06-102	Shaft		1
24	C6266A-06-056	Spacing Collar		6
25	C6266A-06-103	Gear Wheel		1
26	SF-1(DU)	Lubrication Gear	C/SF2220	1
27	GB894.1-86	Circlip For Shaft	22	3
28	C6266A-06-104	Sheath		1
29	C6266A-06-105	Gear Wheel		1
30	C6266A-06-106	Sheath		1
31	C6266A-06-001	Apron Body		1
32	GB80-85	Screw	M8×10	2
33	C6266A-06-081	Transmission Fork		1
34	C6266A-06-082	Eccentric Pin		1
35	GB93-76	Washer	8	1
36	GB6171-86	Hexagon Nut Type 1	M8×1	1
37	C6266A-06-083	Staff		1
38	GB894.1-86	Circlip For Shaft	8	1
39	C6266A-06-138	Pin		1
40	C6266A-06-005	Pressing Ring		2



No.	Part No.	Name	Specifications	Qty.
41	GB 70-85	Screw	M8×20	7
42	C6266A-06-125	Limit Block		1
43	GB70-85	Screw	M8×100	1
44	GB70-85	Screw	M6×14	2
45	GB879-86	Pin	5×24	2
46	GB119-86	Cylindrical Pin Type A	8×55	1
47	C6266A-06-123	Nut Base		1
48	HY8311.1 , A	Handle Bulb	M12×40	1
49	C6266A-06-147	Handle Lever		1
50	C6266A-06-122	Screw		1
51	GB41-86	Hexagon Nut Type 1	M10	1
52	C6266A-06-088	Baffle		1
53	GB70-85	Screw	M8×14	1
54	GB879-86	Pin	5×24	1
55	C6266A-06-149	Handle Apparatus		1
56	YS	Motor	YSS2-5634	1
57	GB1096-79	Key	C4×18	1
58	C6266A-06-090	Sheath		1
59	GB/T3452.1-1992	O-Ring	28×1.80	1
60	GB/T13871-1992	Oil Seal	FB15×25×7	1
61	C6266A-06-091	Gear Wheel		1
62	GB894.1-86	Circlip For Shaft	14	1
63	GB308-89	Steel Ball	φ 10	1
64	C6266A-06-155	Sheath		1
65	GB77-85	Screw	M12×8	1
66	C6266A-06-120	Pressure Spring		2
67	R51-5A	Oil Sight Glass	20	1
68	C6266A-06-022	Pin		1
69	GB91-86	Cotter Pin	2×10	1
70	C6266A-06-048	Hand-Tightened Screw		1
71	C6266A-06-049	Leaf Spring		1
72	GB308-89	Steel Ball	φ 4	2
73	C6266A-06-027	Shaft		1
74	GB894.1-86	Circlip For Shaft	17	1
75	C6266A-06-025	Cam		1
76	GB77-85	Screw	M5×4	1
77	C6266A-06-142	Yoke Plate		1
78	C6266A-06-128	Pin		1
79	GB70-85	Screw	M6×25	2
80	GB70-85	Screw	M6×35	6

No.	Part No.	Name	Specifications	Qty.
81	GB4141.5-84	Turning Handle	M10	1
82	GB65-85	Screw	M6×8	1
83	C6266A-06-035	Washer		1
84	C6266A-06-034	Handwheel		1
85	C6266A-06-169	Sheath		1
86	C6266A-06-168	Pinion		1
87	GB1096-79	Key	5×18	1
88	C6266A-06-162	Rating Plate Of Apron		1
89	GB827-86	Rivet For Rating Plate	2.5×6	10
90	C6266A-06-151	Apron Underplate		1
91	GB77-85	Screw	M16×10	1
92	C6266A-06-150	Paper Washer		1
93	GB70-85	Screw	M6×16	12
94	C6266A-06-073	Shaft		1
95	C6266A-06-077	Round Head Pin		1
96	C6266A-06-078	Pin		1
97	GB91-86	Cotter Pin	2×10	1
98	C6266A-06-076	Pressure Spring		1
99	GB1096-79	Key	6×40	1
100	C6266A-06-072	Spherical Pin		1
101	GB6171-86	Hexagon Nut Type 1	M8×1	1
102	C6266A-06-074	Sheath		1
103	C6266A-06-065	Handle Cap		1
104	C6266A-06-066	Handle Apparatus		1
105	C6266A-06-067	Handle Lever		1
106	C6266A-06-068	Dust Cap		1
107	C6266A-06-069	Cross Cover		1
108	GB6171-86	Hexagon Nut Type 1	M14×1.5	1
109	GB93-87	Spring Washer	14	1
110	GB119-86	Type A Cylindrical Pin	5×20	2
111	C6266A-06-071	Hood		1
112	C6266A-06-070	Handle Apparatus		1
113	GB119-86	Type A Cylindrical Pin	10×50	1
114	GB78-85	Screw	M5×12	1
115	C6266A-06-085	Sheath		1
116	GB1096-79	Key	5×20	1
117	C6266A-06-087	Shaft		1
118	GB894.1-86	Circlip For Shaft	25	1
119	C6266A-06-086	Sheath		1
120	GB117-86	Type A Tapered Cottar	6×30	1

No.	Part No.	Name	Specifications	Qty.
121	GB77-85	Screw	M6×6	1
122	C6266A-06-089	Joint		1
123	C6266A-06-084	Cam		1
124	GB70-85	Screw	M8×20	2
125	GB70-85	Screw	M6×16	4
126	C6266A-06-098	Cover		1
127	GB6171-86	Hexagon Nut Type 1	M16×1.5	1
128	GB77-85	Screw	M16×35	1
129	GB70-85	Screw	M8×20	4
130	C6266A-06-097	Bearing Cap		1
131	C6266A-06-101	Paper Washer		1
132	C6266A-06-108	Pressure Spring		1
133	GB/T 297-94	Conical Roller Bearing	30205	1
134	C6266A-06-109	Sheath		1
135	GB/T 301-1995	Thrust Ball Bearing	51107	1
136	GB894.1-86	Circlip For Shaft	50	1
137	GB70-85	Screw	M5×10	2
138	C6266A-06-100	Nut		1
139	C6266A-06-096	Gear Wheel		1
140	C6266A-06-110	Cone Friction Clutch		1
141	GB1096-79	Key	6×12	2
142	C6266A-06-095	Clutch Sleeve		1
143	GB/T 292-94	Angular Contact Bearing	7006AC	1
144	C6266A-06-094	Spacing Collar		1
145	C6266A-06-114	Star Body		1
146	C6266A-06-116	Pressure Spring		3
147	C6266A-06-115	Adapter Sleeve		3
148	GB309-78	Short Cylindrical Roller	12×12	3
149	C6266A-06-093	Spacing Collar		1
150	C6266A-06-112	Shaft		1
151	C6266A-06-107	Stop Dog		1
152	GB1096-79	Key	8×22	1
153	GB1096-79	Key	8×32	1
154	GB1096-79	Key	4×16	1
155	C6266A-06-092	Worm		1
156	GB/T 297-94	Conical Roller Bearing	30204	1
157	C6266A-06-111	Shaft		1
158	C6266A-06-113	End Cover		1
159	GB/T 3452.1-1992	O-Ring	18×1.80	1
160	GB894.1-86	Circlip For Shaft	25	1

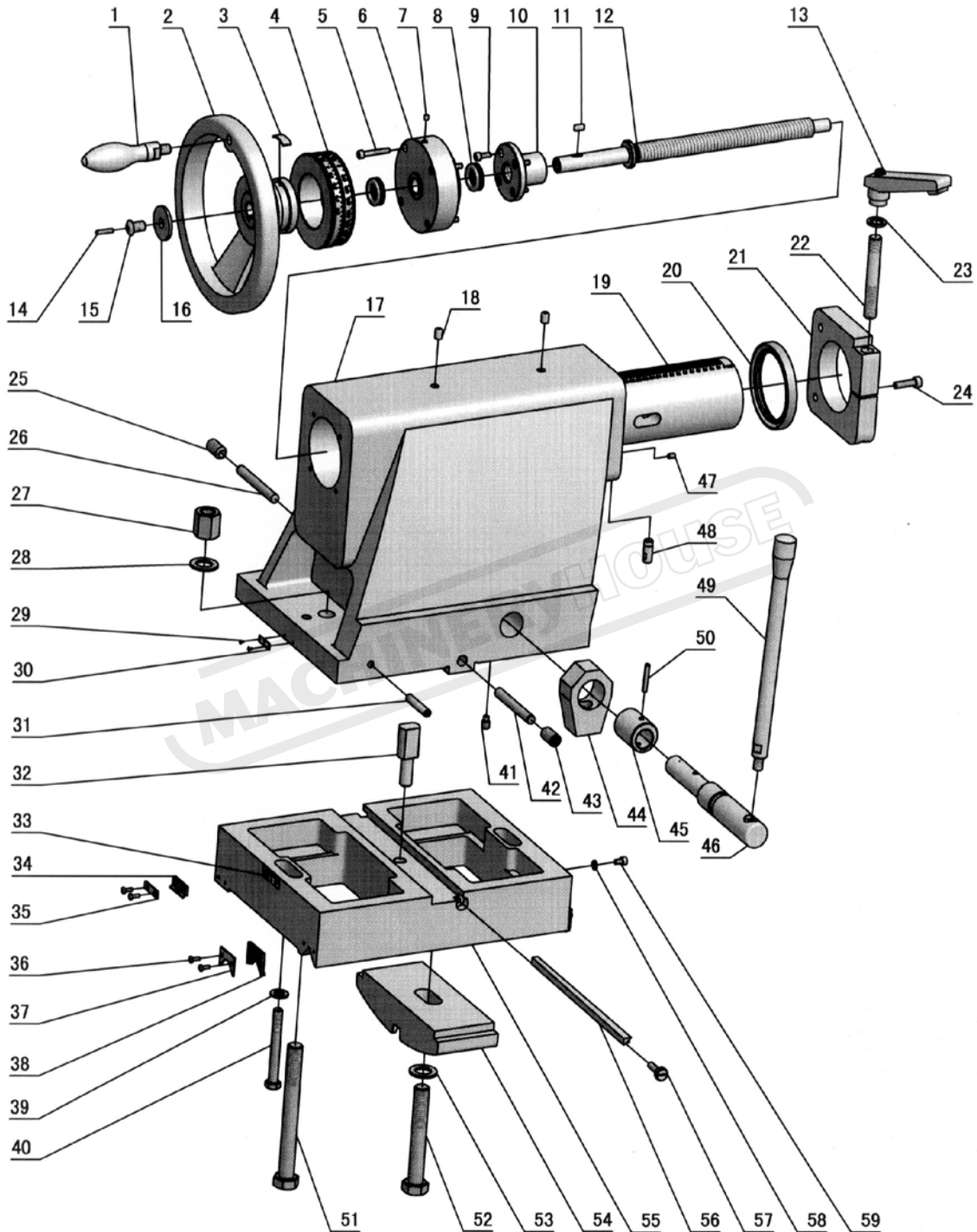
No.	Part No.	Name	Specifications	Qty.
161	C6266A-06-044	Gear Wheel		1
162	C6266A-06-018	Sheath		1
163	C6266A-06-017	Gear Wheel		1
164	C6266A-06-016	Sheath		1
165	GB 1099-79	Semicircular Key	6×9×22	2
166	C6266A-06-015	Pinion		1
167	C6266A-06-041	Coupler		1
168	C6266A-06-020	Shaft		1
169	GB1096-79	Key	5×16	1
170	GB/T 3452.1-1992	O-Ring	18×1.80	1
171	GB894.1-86	Circlip For Shaft	17	1
172	C6266A-06-042	Gear Wheel		1
173	C6266A-06-043	Sheath		1
174	C6266A-06-021	Gear Wheel		1
175	C6266A-06-019	Mandrel		1
176	GB/T 3452.1-1992	O-Ring	4.5×1.80	1
177	C6266A-06-145	End Cover		1
178	C6266A-06-141	Shaft		1
179	GB41-86	Hexagon Nut Type 1	M8	1
180	GB77-85	Screw	M6×6	2
181	GB117-86	Type A Tapered Cottar	6×35	2
182	C6266A-06-079	Transmission Fork		1
183	C6266A-06-137	Sheath		2
184	C6266A-06-144	Ball Pin		1
185	GB77-85	Screw	M6×8	8
186	C6266A-06-051	Bearing Sleeve		2
187	GB/T 276-94	Deep Groove Ball Bearing	6005	2
188	C6266A-06-050	Gear Wheel		1
189	C6266A-06-063	Spacing Collar		1
190	C6266A-06-163	Spacing Collar		6
191	GB/T 278-89	Ball Bearing	80105	8
192	GB 893.2-86	Snap Ring	47	4
193	C6266A-06-060	Gear Wheel		2
194	C6266A-06-164	Spacing Collar		4
195	GB1096-79	Key	8×16	2
196	C6266A-06-058	Shaft		2
197	C6266A-06-014	Coupler		2
198	C6266A-06-003	Gear Wheel		2
199	C6266A-06-013	Spacing Collar		2
200	GB/T 278-89	Ball Bearing	80104	2

No.	Part No.	Name	Specifications	Qty.
201	C6266A-06-004	Bearing Sleeve		2
202	C6266A-06-059	Gear Wheel		1
203	C6266A-06-064	Spacing Collar		1
204	C6266A-06-002	Shaft		1
205	C6266A-06-061	Gear Wheel		1
206	GB1096-79	Key	6×14	1
207	C6266A-06-062	Gear Wheel		1
208	GB894.1-86	Circlip For Shaft	60	1
209	C6266A-06-006	Shaft		1
210	C6266A-06-057	Gear Wheel		1
211	SF-1 ( DU )	Lubrication Bearing	C/SF2230	1
212	GB77-85	Screw	M6×8	1
213	C6266A-06-052	End Cover		1
214	SF-1 ( DU )	Lubrication Bearing	C/SF2530	1
215	C6266A-06-053	Shaft		1
216	C6266A-06-054	Gear Wheel		1
217	C6266A-06-055	Helical Gear		1
218	C6266A-06-011	Gear Wheel		1
219	GB/T 301-1995	Thrust Ball Bearing	51104	1
220	C6266A-06-010	Sheath		1
221	SF-1 ( DU )	Bearing	C/SF2015	1
222	C6266A-06-009	Shim		1
223	C6266A-06-007	Flange		1
224	GB70-85	Screw	M6×16	3
225	C6266A-06-008	Screw		1
226	GB 6173-86	Hexagonal Thin Nut	M10×1	1
227	C6266A-06-140	Shaft		1
228	C6266A-06-080	Transmission Fork		1
229	C6266A-06-126	End Cover		2
230	GB894.1-86	Circlip For Shaft	14	1
231	C6266A-06-133	Sheath		1
232	C6266A-06-128	Pin		1
233	C6266A-06-127	Bulb		1
234	C6266A-06-129	Shifting Rod		1
235	GB77-85	Screw	M6×8	1
236	GB1096-79	Key	4×10	1
237	C6266A-06-130	Shaft		1
238	GB1096-79	Key	5×12	1
239	GB91-86	Cotter Pin	2×10	1
240	GB894.1-86	Circlip For Shaft	6	1

No.	Part No.	Name	Specifications	Qty.
241	C6266A-06-136	Roller Head		1
242	C6266A-06-134	Swinging Arm		1
243	C6266A-06-135	Pin		1
244	C6266A-06-132	Pin		1
245	C6266A-06-131	Roller Head		1
246	C6266A-06-121	Sheath		1
247	GB68-85	Screw	M6×14	3
248	C6266A-06-119	Handle Apparatus		1
249	C6266A-04-142	Lever		1
250	RUN6246-101070-1	Washer		1
251	RUN6246-101088	Round Head Screw		1
252	GB77-85	Screw	M4×20	1
253	GB77-85	Screw	M12×8	1
254	GB308-89	Steel Ball	φ 10	1
255	GB119-86	Cylindrical Pin Type A	12×22	1
256	C6266A-06-124	Split Nut Control Plate		1
257	GB117-86	Type A Tapered Cottar	6×30	1
258	GB77-85	Screw	M6×6	1
259	C6266A-06-075	Shaft		1
260	GB1096-79	Key	5×25	1

MACHINERYHOUSE

### Tailstock



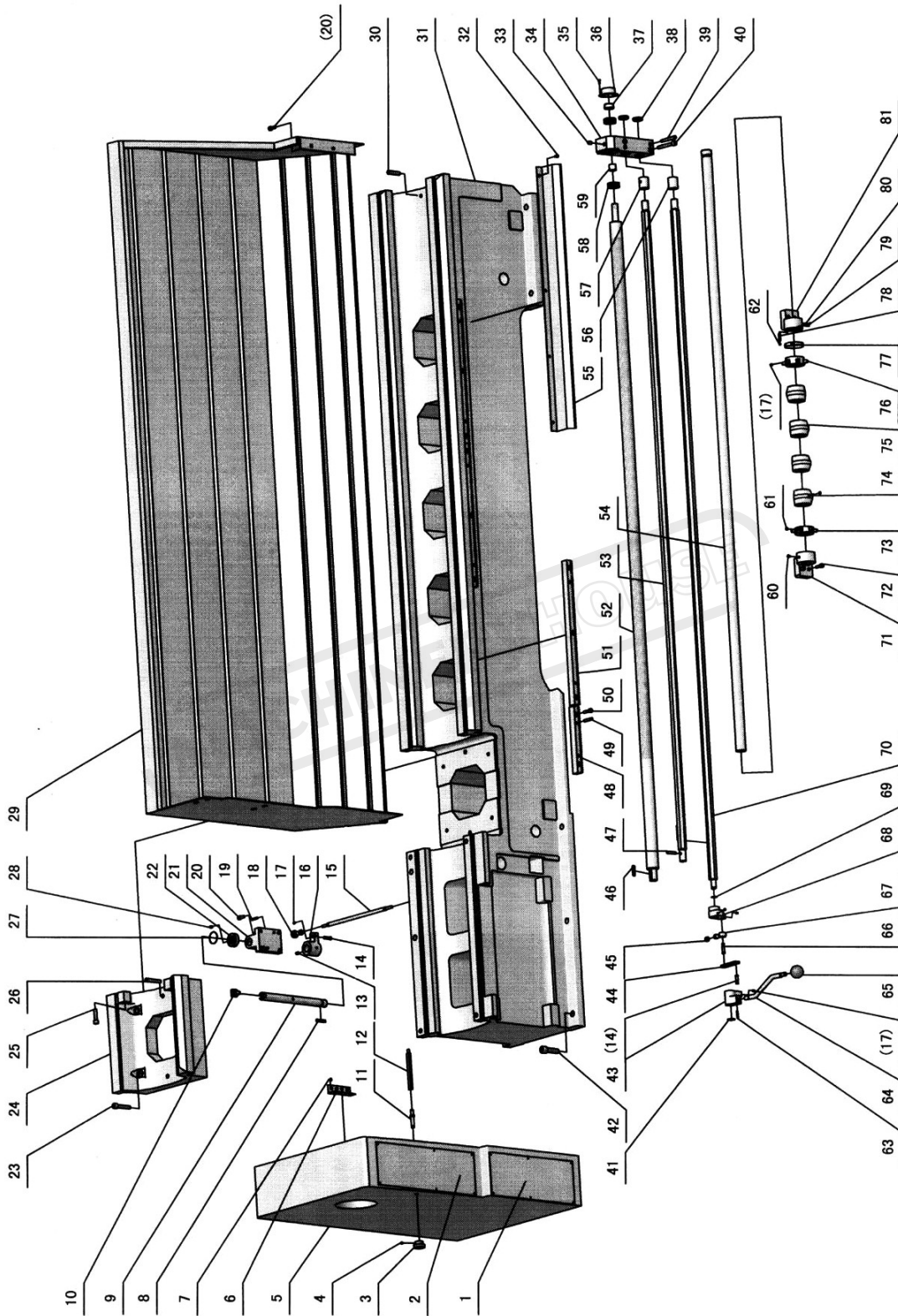
1	JB/T7270.6	Curved-Surface	BM12×100	1
2	C6266-08-07	Handwheel		1
3	Q67-4-33	Spring	100	1
4	C6266-08-08	Graduation Ring		1
5	GB/T70.1	Screw	M6×40	4
6	C6266-08-09	Flange		1
7	GB/T1155	Oil Cup	6	1
8	GB/T301	Thrust Ball Bearing	20×35×10	2
9	GB/T70	Screw	M6×16	4
10	C6246B-105005	Screw Cap	Shared part	1
11	GB/T1096	Key	6×15	1
12	C6266-08-10	Feeding Lead Screw		1
13	Z52-2	Adjustable Fixed Handle	A-M16×110	1
14	GB/T80	Screw	M5×25	1
15	C6266-08-18	Screw		1
16	C6266-08-19	Washer		1
17	C6266-08-12	Tailstock		1
18	GB/T1155	Oil Cup	10	2
19	C6266-08-11	Quill		1
20	HG4-692-67	Oil Seal	PD90×110×12	1
21	C6266-08-13	Locking Block		1
22	C6266-08-06	Screw Bolt		1
23	C6266-08-05	Washer		1
24	GB/T70	Screw	M8×30	2
25	GB/T80	Screw	M16×30	1
26	GB/T119.2	Pin	12×108	1
27	GB/T56	Nut	M20	1
28	GB/T95	Washer	20	1
29	GB/T827	Rivet	2×5	4
30	RUN460-105031	Rating Plate Of Tailstock	Shared part	1
31	RUN460-105007	Brake Screw Bolt	Shared part	1
32	C6266-08-16	Adjusting Piece		1
33	RUN460-105032	Rating Plate Of Tailstock	Shared part	1
34	C6251A-08-09	Dustproof Oil Seal	Shared part	2
35	C6251A-08-08	Fixing Piece	Shared part	2
36	GB/T818	Screw	M4×12	8
37	C6266-08-03	Fixing Piece		2
38	C6266-08-04	Dustproof Oil Seal		2
39	GB/T95	Washer	12	2
40	GB/T5782	Screw Bolt	M12×100	2
<b>No.</b>	<b>Part No.</b>	<b>Name</b>	<b>Specifications</b>	<b>Qty.</b>

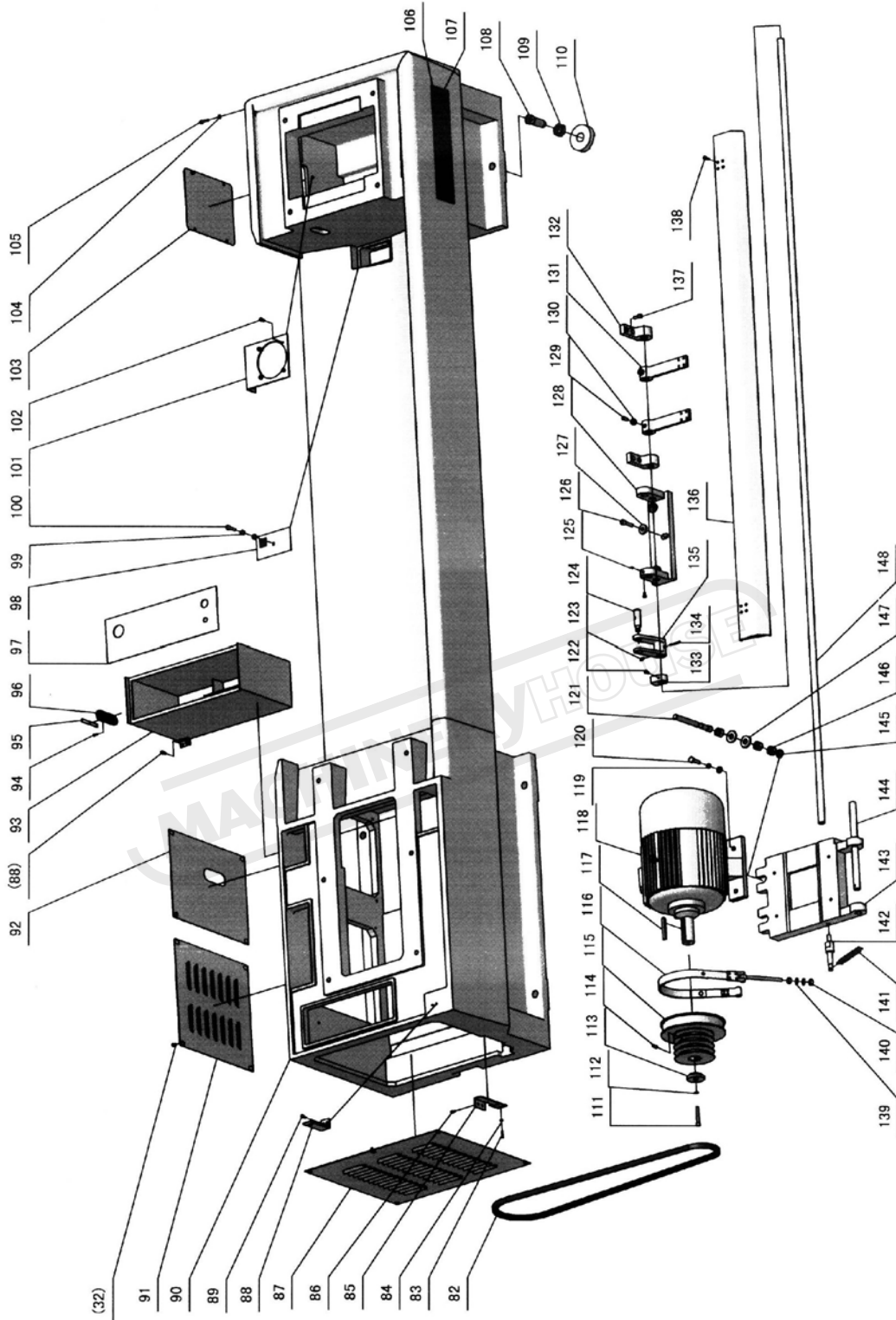


41	GB/T79	Screw	M10×16	1
42	GB/T119.2	Pin	12×95	1
43	GB/T80	Screw	M16×30	1
44	RUN460-105018	Supporting Bracket	Shared part	1
45	RUN460-105028	Eccentric Block	Shared part	1
46	C6266-08-14	Brake Screw Bolt		1
47	GB/T80	Screw	M6×10	1
48	C6246B-105030	Limit Block	Shared part	1
49	RUN460-105006	Screw Bolt	Shared part	1
50	GB/T879.1	Pin	6×36	1
51	GB/T37	Screw Bolt	M20×180	1
52	GB/T5782	Screw Bolt	M20×130	1
53	GB/T95	Washer	20	1
54	C6266-08-17	Brake Block		2
55	C6266-08-15	Base Frame		1
56	C6266-08-02	Gibs		1
57	RUN460-105020	Adjusting Screw		2
58	GB/T95	Washer	6	1
59	GB/T70	Screw	M6×10	1

MACHINERYHOUSE

# Bed Assembly





No.	Part No.	Name	Specifications	Qty.
-----	----------	------	----------------	------

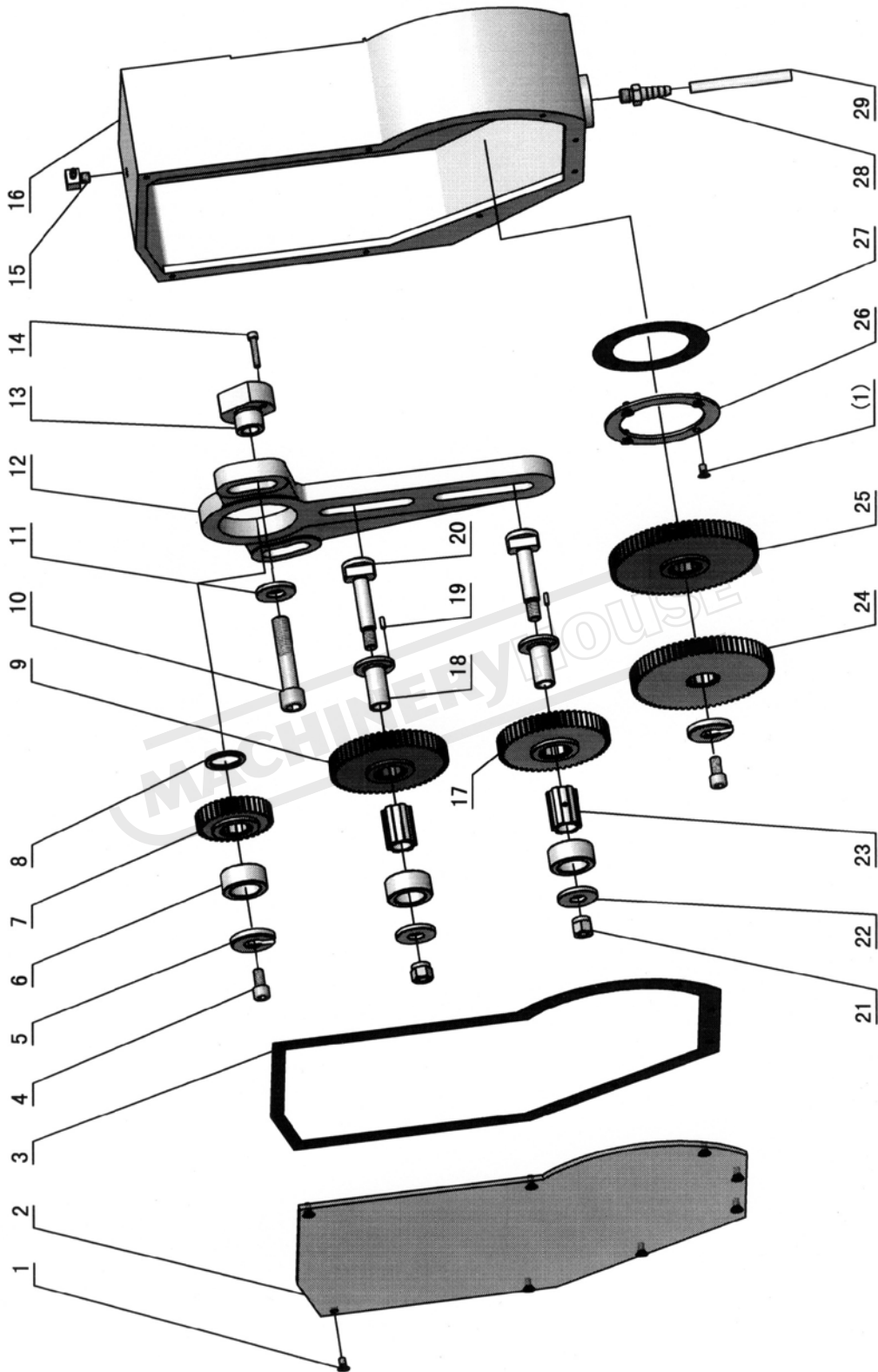
1	C6266A-05-90	Rating Plate		1
2	C6266A-05-91	Rating Plate		1
3	RUN6246-108073	Nut		1
4	GB79-85	Screw		1
5	C6266A-20-23	Cover-End		1
6	GB7277-87	Hinge	100	2
7	GB68-85	Screw	M5×10	16
8	GB1096-79	Round-Head Ordinary Flat Key	A6X40	1
9	C6266A-01-49	Connecting Rod		1
10	C6266A-01-50	Crosshead Shoe		1
11	RUN6246-108074	Screw		1
12	C6266A-05-12	Screw		1
13	GB78-85	Screw	M8X10	1
14	C6266A-01-53	Pin		2
15	C6266A-01-55	Connecting Rod		1
16	C6266A-01-48	Swinging Arm		1
17	GB80-85	Screw	M6X8	1
18		Knuckle Bearing	M8Levorotationar	1
19	GB119-86	Ordinary Cylindrical Pin	6X30	2
20	GB70-85	Screw	M8X20	4
21	C6266A-01-46	Support Abutment		1
22	C6266A-01-47	Shaft Sleeve		1
23	GB70-85	Screw	M12×60	4
24	C6266A-01-02	Saddle		1
25	GB70-85	Screw	M10X40	2
26	GB118-86	Tapered Cottar	10×65	4
27	GB921-86	Steel Wire Locking Collar	D38Xd1	1
28	GB71-85	Screw	M8X10	1
29	C6266A-01-60	Welding Drawing		1
30	GB878-86	Threaded Cylindrical Pin	M12X50	1
31	C6266A-01-01	Lathe Bed		1
32	GB/T70.2-2000	Screw	M6X10	10
33	GB1155-89	Force-Fit Pressure Oil Cup	10	1
34	C6266A-01-33	Hitching Leg		1
35	GB70-85	Screw	M4X10	2
36	C6266A-01-34	End Cap		1
37	RUN6246-106007	Screw Cap	Shared part	1
38	C6266A-01-37	Hitching Leg Stopper		2
39	GB118-86	Tapered Cottar	8X75	2
40	GB70-85	Screw	M10X80	2
<b>No.</b>	<b>Part No.</b>	<b>Name</b>	<b>Specifications</b>	<b>Qty.</b>

41	GB894.1-86	Circlip For Shaft	20	1
42	GB70-85	Screw	M16×55	12
43	C6266A-01-57	Lever Supporting Abutment		1
44	C6266A-01-56	Connecting Rod		1
45	GB6170-86	Hexagon Nut Type 1	M8	1
46	GB1096-79	Key	C6×36	1
47	C6266A-01-65	Safety Pin		1
48	C6266A-01-44	Rack		1
49	GB879-86	Resilient Cylindrical Pin	8X40	10
50	GB70-85	Hexagon Socket Cap Set Screw	M8X30	14
51	C6266A-01-45	Rack		4
52	C6266A-01-30	Large Lead Screw		1
53	C6266A-01-31	Feeding Rod		1
54	C6266A-01-64	Stop Axle		1
55	C6266A-01-29	Chip Guard		1
56	C6266A-01-35	Control Lever Casing		1
57	C6266A-01-36	Feeding Lead Screw Casing		1
58	GB301-84	Thrust Ball Bearing	51204	2
59	SF-1	Oil Retaining Bearing	2020	1
60	GB79-85	Screw	M8X10	1
61	GB80-85	Screw	M8X6	1
62	GB308-84	Steel Ball	6	1
63	GB879-86	Resilient Cylindrical Pin	5X24	1
64	C6266A-01-58	Control Lever		1
65	Z16-1	Handle Bulb	M12×40	1
66	C6266A-01-59	Pin		1
67		Knuckle Bearing	M8dextrorotationa	1
68	C6266A-01-54	Control Block		1
69	GB894.1-86	Circlip For Shaft	16	1
70	C6266A-01-32	Control Lever		1
71	C6266A-01-62	Left Bracket For Sizing		1
72	GB70-85	Screw	M8×25	4
73	RUN6246-106019-1	Star Ring	Shared part	1
74	RUN6246-106020-1	Cushion Block For Cam	Shared part	4
75	C6266A-01-63	Cam		4
76	RUN6246-106019-2	Star Ring	Shared part	1
77	RUN6246-6019-5	Rating Plate	Shared part	1
78	Q81-1	Spring	1X5X25	1
79	GB827-86	Rivet For Rating Plate	2X5	6
80	RUN460-105031	Rating Plate	Shared part	1
<b>No.</b>	<b>Part No.</b>	<b>Name</b>	<b>Specifications</b>	<b>Qty.</b>

81	C6266A-01-61	Right Bracket For Sizing		1
82		V Belt (Type B)	B97 "	4
83	GB70-85	Screw	M5×10	2
84	GB6170-86	Hexagon Nut Type 1	M4	2
85	RUN6246-106091	Microswitch Bracket	Shared part	1
86	GB818-85	Screw	M4×20	2
87	C6266A-01-40	Side Cover		1
88	RUN6246-106014	Limited Switch Seat		1
89	GB70-85	Screw	M6×16	12
90	C6266A-01-03-2	Lathe Leg		1
91	C6266A-01-41	Rear Cover		1
92	C6266A-01-42	Rear Cover		1
93	C6266A-01-69	Oil Tank Cover		1
94	GB822-85	Screw	M4X10	4
95	GB3452.1-82	O Ring	50X1.8	1
96	RUN460-104068	Oil Cup	Shared part	1
97	C6266A-01-68	Oil Tank		1
98	RUN6246-106051	Filter Screen		2
99	GB6170-86	Hexagon Nut Type 1	M8	4
100	GB70-85	Screw	M8X30	2
101	C6251A-01-17-5	Cooling Pump Base		1
102	GB70-85	Screw	M6X12	4
103	RUN6246-106033	Pump Hole Cover		2
104	GB97.1-85	Flat Washer	6	2
105	GB70-85	Screw	M6X25	2
106	C6266A-01-70	Rating Plate		1
107	GB818-85	Screw	M3X6	4
108	RUN6246-106069	Cushion Block	Shared part	8
109	GB6173-86	Hexagonal Thin Nut	M24X2	8
110	RUN6246-106029	Leveling Screw	Shared part	8
111	GB70-85	Screw	M8×55	1
112	GB93-87	Spring Washer	8	1
113	RUN6141-106049a	Belt Pulley Washer	Shared part	1
114	GB80-85	Screw	M8×20	1
115	C6266A-01-08	Motor Belt Pulley		1
116	RUN6246-106047	Brake Ribbon	Shared part	1
117	GB1096C-79	Key	10×70	1
118		Motor		1
119	GB93-87	Spring Washer	10	4
120	GB5782-86	Hexagonal Head Screw Bolt	M10X35	4
<b>No.</b>	<b>Part No.</b>	<b>Name</b>	<b>Specifications</b>	<b>Qty.</b>

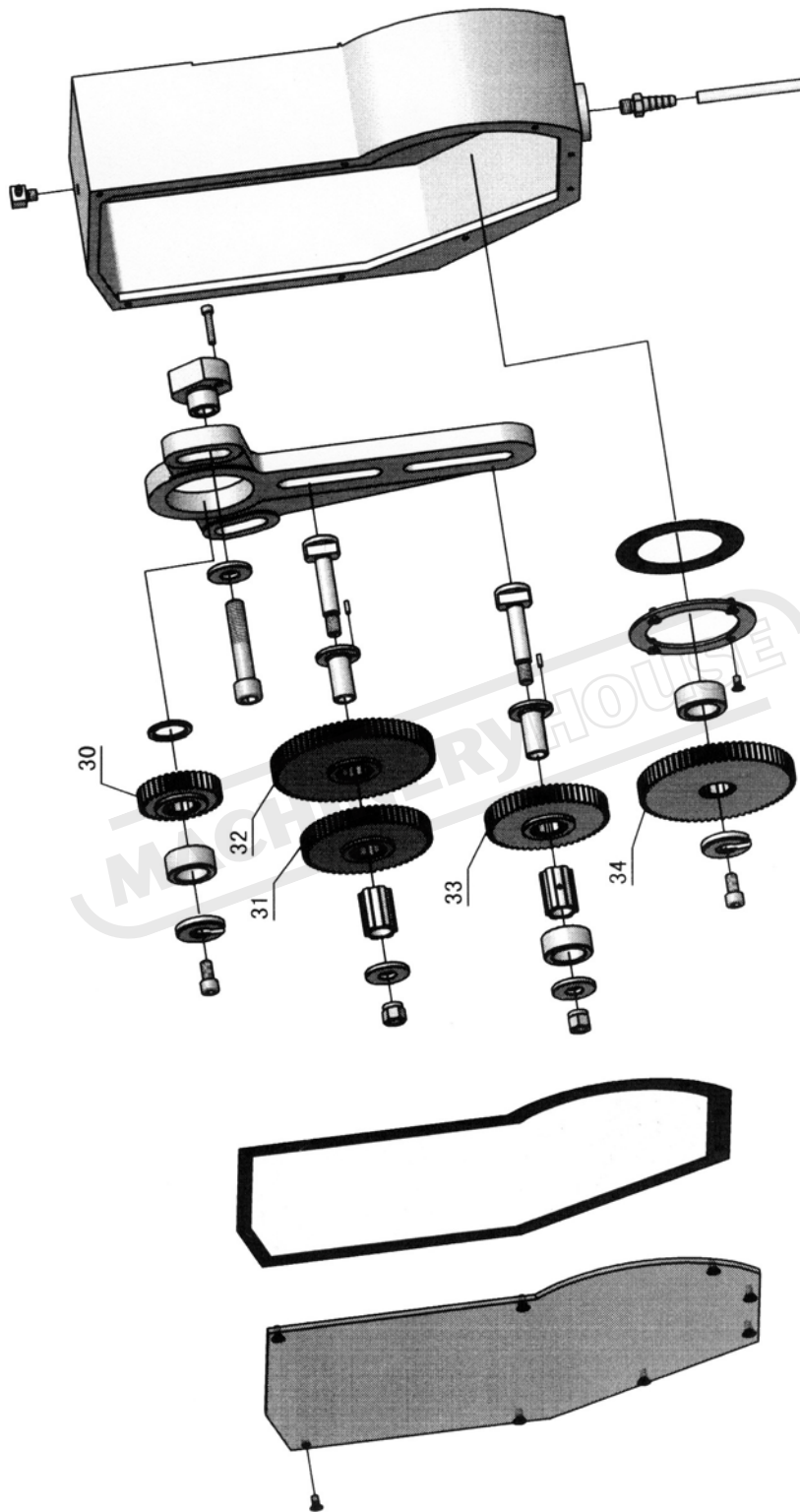
121	RUN6246-106046	Adjusting Screw	Shared part	2
122	GB70-85	Screw	M6×12	1
123	GB70-85	Screw	M5×10	1
124	RUN6246-106039	Inserted Pin	Shared part	1
125	GB80-85	Screw	M6×8	1
126	GB70-85	Screw	M10×40	3
127	RUN6246-106097	Shim	Shared part	3
128	RUN6246-106041	Motor Plate Bracket	Shared part	1
129	GB79-85	Screw	M10X25	4
130	GB6170-86	Hexagon Nut Type 1	M10	4
131	RUN6246-106042A	Bracket	Shared part	4
132	RUN6246-106036	Carrier		4
133	RUN6246-106037	Cam	Shared part	1
134	GB879-86	Resilient Cylindrical Pin	5×40	1
135	RUN6246-106040	Swinging Arm	Shared part	1
136	C6266A-01-39-2	Brake Pedal		2
137	GB70-85	Screw	M8X20	8
138	GB70-85	Screw	M6X16	16
139	GB97.1-85	Flat Washer	D10	4
140	GB6170-86	Hexagon Nut Type 1	M10	2
141	Q81-3	Spring	3×16×115	1
142	RUN6246-106050	Fixed Pin	Shared part	1
143	RUN6246-106034	Motor Plate	Shared part	1
144	RUN6246-106044	Staff	Shared part	1
145	GB93-87	Spring Washer	16	2
146	GB6170-86	Hexagon Nut Type 1	M16	6
147	RUN6246-106079	Washer	Shared part	4
148	C6266A-01-38-2	Brake Axle		1

### Change gear (Metric)



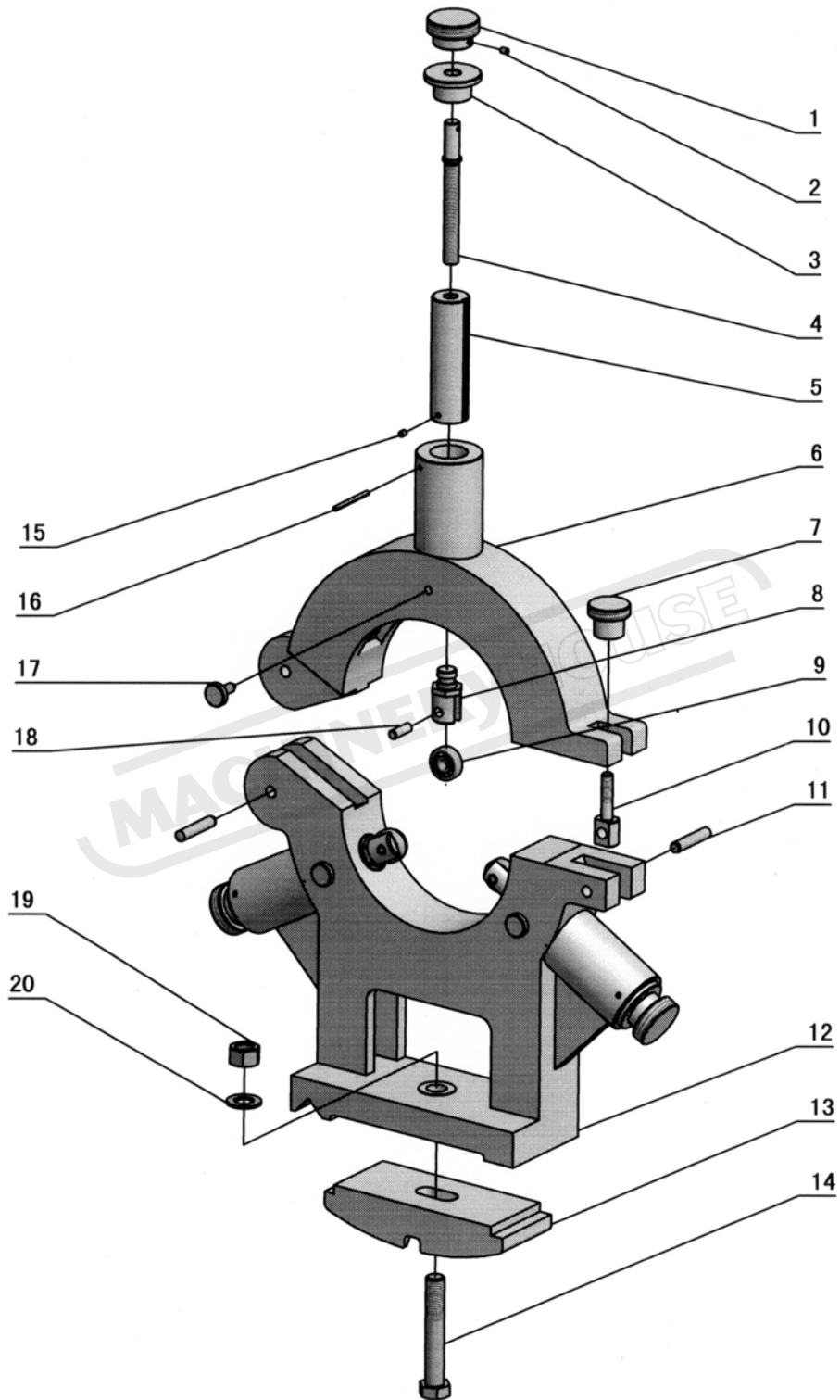


### Change gear (Inch)



1	GB818-85	Screw	M6×12	12
2	C6266A-20-13	Case Cover		1
3	C6266A-20-14	Gasket		1
4	GB70-85	Screw	M10×20	2
5	C6266A-20-12	Open Washer		2
6	C6266A-20-08	Washer		3
7	C6266A-20-03	Change Gear	Z=36	1
8	C6266A-20-22	Washer		1
9	C6266A-20-04	Change Gear	Z=57	1
10	GB70-85	Screw	M16×80	2
11	C6266A-20-21	Washer		2
12	C6266A-20-02	Change Gear Bracket		1
13	C6266A-20-20	Fixed Sleeve		2
14	GB70-85	Screw	M6×30	2
15	C6266A-20-18	Oil Intake Connector		1
16	C6266A-20-01	Change Gear Box Body		1
17	C6266A-20-10	Change Gear	Z=54	1
18	C6266A-20-09	Sleeve Carrier		2
19	GB119-86	Ordinary Cylindrical Pin	4×12	2
20	C6266A-20-06	Shaft		2
21	GB6182A-86	Locking Nut With Insert	M12	2
22	C6266A-20-05	Washer		2
23	C6266A-20-07	Spline Housing		2
24	C6266A-20-11	Change Gear	Z=69	1
25	C6266A-20-15	Change Gear	Z=72	1
26	C6266A-20-17	Pressing Ring		1
27	C6266A-20-16	Gasket		1
28	C6266A-20-19	Oil Scavenge Connector		1
29		Tube	φ 10.5×δ1×1100	1
30	C6266A-20-25Y	Change Gear	Z=39	1
31	C6266A-20-27Y	Change Gear	Z=58	1
32	C6266A-20-26Y	Change Gear	Z=76	1
33	C6266A-20-04	Change Gear	Z=57	1
34	C6266A-20-28Y	Change Gear	Z=63	1

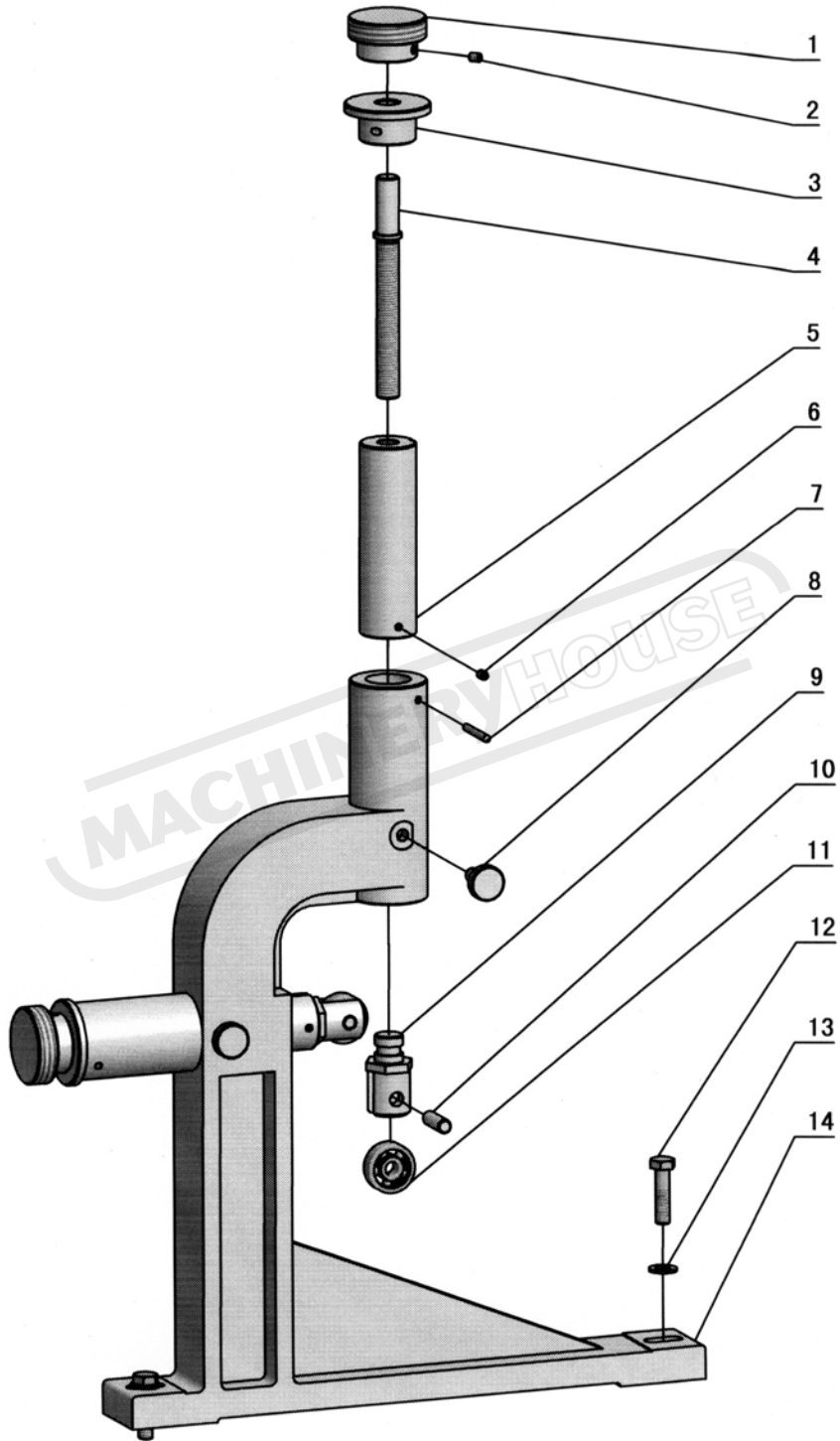
### Steady Rest



1	C6266-10A-04	Hand Grip		3
2	GB/T78	Screw	M6×8	3
3	C6266-10A-05	Sheath		3
4	C6266-10A-03	Screw Bolt		3
5	C6266-10A-02	Quill		3
6	C6266-10A-01	Upper Body		1
7	C6251A-10-09	Hand Grip	Shared part	1
8	C6251A-10-02	Pressure Head	Shared part	3
9	GB/T276	Bearing 6300-2RS	10×35×11	3
10	C6251A-10-10	Screw Bolt	Shared part	1
11	GB/T119.2	Cylindrical Pin	12×60	2
12	C6266-10A-06	Lower Body		1
13	C6266-08-17	Brake Block	Shared part	1
14	GB/T37	Screw Bolt	M20×120	1
15	GB/T77	Screw	M6×8	3
16	GB/T879	Resilient Cylindrical Pin	5×60	3
17	RUN6246-110018	Screw	Shared part	3
18	C6251A-10-03	Pin	Shared part	3
19	GB/T56	Hexagonal Thick Nut	M20	1
20	GB/T97.2	Washer	20	1

MACHINERYHOUSE

### Follow Rest



1	C6266-10A-04	Hand Grip	Shared part	2
2	GB/T78-1985	Screw	M6×8	2
3	C6266-10B-04	Sheath		2
4	C6266-10B-03	Screw Bolt		2
5	C6266-10B-02	Sheath		2
6	GB/T77-1985	Screw	M6×8	2
7	GB/T879-1986	Resilient Cylindrical Pin	5×40	2
8	RUN6246-110018	Screw	Shared part	2
9	C6266-10B-05	Pressure Head		2
10	GB119-86 ( Type A )	Cylindrical Pin	φ 10×20	2
11	GB/T276-1994	Ball Bearing 6200-2RS	10×30×9	2
12	GB/T5782-1986	Hexagonal Head Bolt	M10×40	2
13	GB/T97.1-1985	Flat Washer	10	2
14	C6266-10B-01	Movable Support Body		1

MACHINERYHOUSE